



32K × 8 HIGH SPEED CMOS STATIC RAM

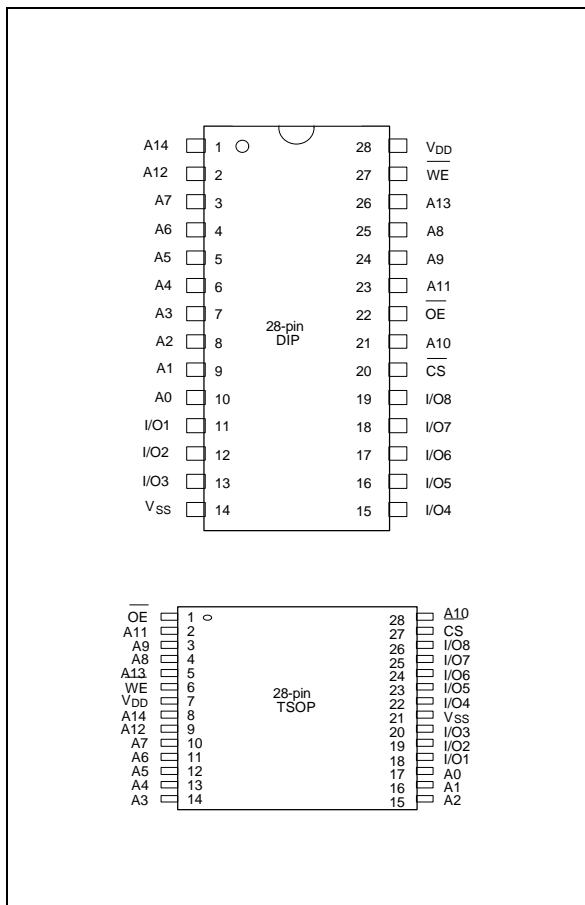
GENERAL DESCRIPTION

The W24257A is a high speed, low power CMOS static RAM organized as 32768 × 8 bits that operates on a single 5-volt power supply. This device is manufactured using Winbond's high performance CMOS technology.

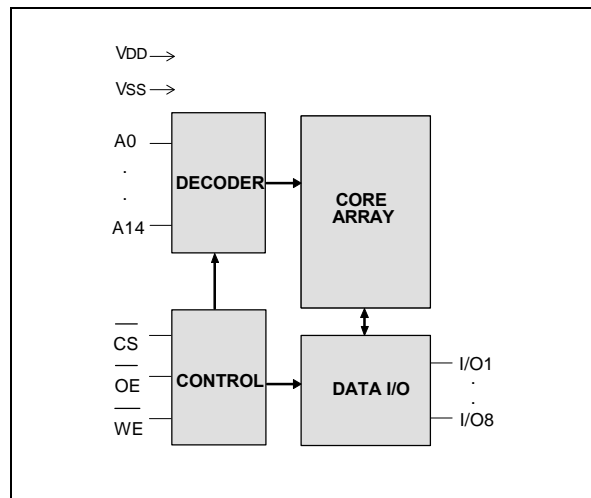
FEATURES

- High speed access time: 10/12/15/20 nS (max.)
- Low power consumption:
 - Active: 400 mW (typ.)
- Single +5V power supply
- Fully static operation
- All inputs and outputs directly TTL compatible
- Three-state outputs
- Available packages: 28-pin 300 mil SOJ, 330 mil SOP, skinny DIP and standard type one TSOP (8 mm × 13.4 mm)

PIN CONFIGURATIONS



BLOCK DIAGRAM



PIN DESCRIPTION

| SYMBOL | DESCRIPTION |
|-----------|---------------------|
| A0–A14 | Address Inputs |
| I/O1–I/O8 | Data Inputs/Outputs |
| CS | Chip Select Input |
| WE | Write Enable Input |
| OE | Output Enable Input |
| VDD | Power Supply |
| VSS | Ground |



DC CHARACTERISTICS

Absolute Maximum Ratings

| PARAMETER | RATING | UNIT |
|---------------------------------|------------------|------|
| Supply Voltage to Vss Potential | -0.5 to +7.0 | V |
| Input/Output to Vss Potential | -0.5 to VDD +0.5 | V |
| Allowable Power Dissipation | 1.0 | W |
| Storage Temperature | -65 to +150 | °C |
| Operating Temperature | 0 to +70 | °C |

Note: Exposure to conditions beyond those listed under Absolute Maximum Ratings may adversely affect the life and reliability of the device.

TRUTH TABLE

| \overline{CS} | \overline{OE} | \overline{WE} | MODE | I/O1–I/O8 | VDD CURRENT |
|-----------------|-----------------|-----------------|----------------|-----------|-------------|
| H | X | X | Not Selected | High Z | ISB, ISB1 |
| L | H | H | Output Disable | High Z | IDD |
| L | L | H | Read | Data Out | IDD |
| L | X | L | Write | Data In | IDD |

OPERATING CHARACTERISTICS

(VDD = 5V ±10%, VSS = 0V, TA = 0 to 70° C)

| PARAMETER | SYM. | TEST CONDITIONS | MIN. | TYP. | MAX. | UNIT | |
|--------------------------------|------|---|------|------|----------|------|----|
| Input Low Voltage | VIL | - | -0.5 | - | +0.8 | V | |
| Input High Voltage | VIH | - | +2.2 | - | VDD +0.5 | V | |
| Input Leakage Current | ILI | VIN = VSS to VDD | -10 | - | +10 | μA | |
| Output Leakage Current | ILO | V _{I/O} = VSS to VDD, \overline{CS} = VIH or \overline{OE} = VIH or \overline{WE} = VIL | -10 | - | +10 | μA | |
| Output Low Voltage | VOL | IOL = +8.0 mA | - | - | 0.4 | V | |
| Output High Voltage | VOH | IOH = -4.0 mA | 2.4 | - | - | V | |
| Operating Power Supply Current | IDD | \overline{CS} = VIL, I/O = 0 mA Cycle = MIN Duty = 100% | 10 | - | - | 170 | mA |
| | | | 12 | - | - | 160 | mA |
| | | | 15 | - | - | 150 | mA |
| | | | 20 | - | - | 140 | mA |
| Standby Power Supply Current | ISB | \overline{CS} = VIH Cycle = MIN, Duty = 100% | - | - | 30 | mA | |
| | ISB1 | \overline{CS} ≥ VDD -0.2V | - | - | 10 | mA | |

Note: Typical characteristics are at VDD = 5V, TA = 25° C.



CAPACITANCE

(V_{DD} = 5V, T_A = 25° C, f = 1 MHz)

| PARAMETER | SYM. | CONDITIONS | MAX. | UNIT |
|--------------------------|------------------|-----------------------|------|------|
| Input Capacitance | C _{IN} | V _{IN} = 0V | 8 | pF |
| Input/Output Capacitance | C _{I/O} | V _{OUT} = 0V | 10 | pF |

Note: These parameters are sampled but not 100% tested.

THERMAL RESISTANCE

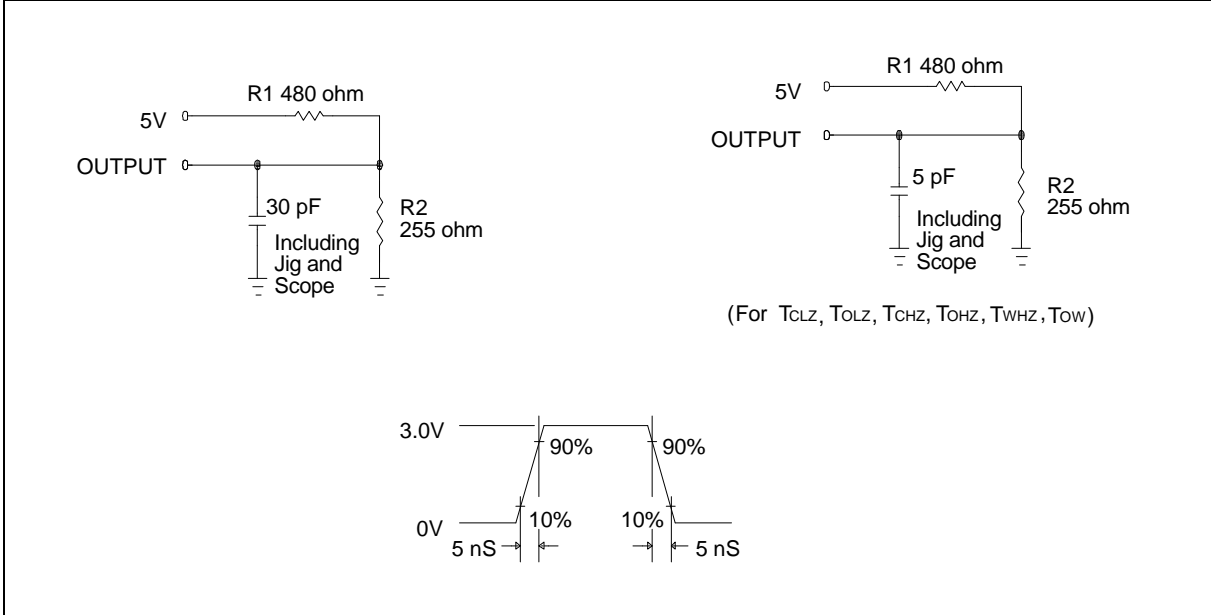
| PARAMETER | SYM | CONDITIONS | MAX. | UNIT |
|--|---------------|---|------|------|
| Junction to Case Thermal Resistance | θ_{JC} | A. F. R. = 1m/sec, T _A = 25° C | 20 | °C/W |
| Junction to Ambient Thermal Resistance | θ_{JA} | A. F. R. = 1m/sec, T _A = 25° C | 60 | °C/W |

Note: These parameters are only applied to "TSOP" and "SOJ" package types.

AC TEST CONDITIONS

| PARAMETER | CONDITIONS |
|---|---|
| Input Pulse Levels | 0V to 3V |
| Input Rise and Fall Times | 5 nS |
| Input and Output Timing Reference Level | 1.5V |
| Output Load | C _L = 30 pF, I _{OH} /I _{OL} = -4 mA/8 mA |

AC TEST LOADS AND WAVEFORM



AC CHARACTERISTICS

(V_{DD} = 5V ±10%, V_{SS} = 0V, T_A = 0 to 70° C)

Read Cycle

| PARAMETER | SYM. | W24257A-10 | | W24257A-12 | | W24257A-15 | | W24257A-20 | | UNIT |
|--------------------------------------|--------------------|------------|------|------------|------|------------|------|------------|------|------|
| | | MIN. | MAX. | MIN. | MAX. | MIN. | MAX. | MIN. | MAX. | |
| Read Cycle Time | T _{RC} | 10 | - | 12 | - | 15 | - | 20 | - | nS |
| Address Access Time | T _{AA} | - | 10 | - | 12 | - | 15 | - | 20 | nS |
| Chip Select Access Time | T _{ACS} | - | 10 | - | 12 | - | 15 | - | 20 | nS |
| Output Enable to Output Valid | T _{AOE} | - | 5 | - | 6 | - | 7 | - | 10 | nS |
| Chip Selection to Output in Low Z | T _{CLZ} * | 3 | - | 3 | - | 3 | - | 3 | - | nS |
| Output Enable to Output in Low Z | T _{OLZ} * | 0 | - | 0 | - | 0 | - | 0 | - | nS |
| Chip Deselection to Output in High Z | T _{CHZ} * | - | 5 | - | 6 | - | 7 | - | 10 | nS |
| Output Disable to Output in High Z | T _{OHZ} * | - | 5 | - | 6 | - | 7 | - | 10 | nS |
| Output Hold from Address Change | T _{OH} | 3 | - | 3 | - | 3 | - | 3 | - | nS |

* These parameters are sampled but not 100% tested.

Write Cycle

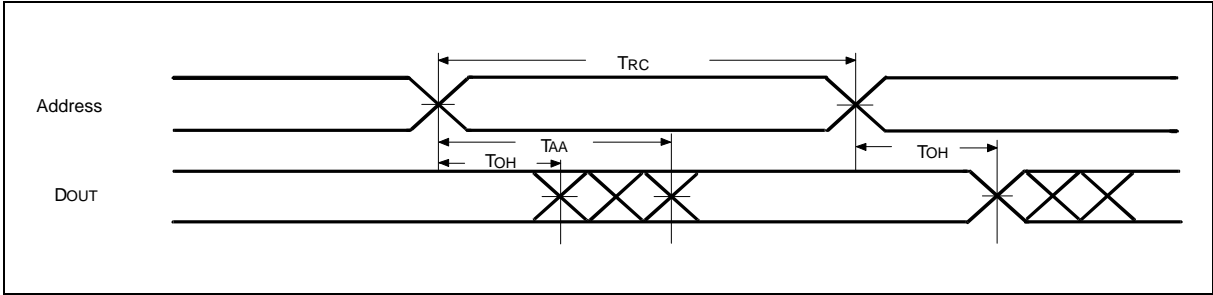
| PARAMETER | | SYM. | W24257A-10 | | W24257A-12 | | W24257A-15 | | W24257A-20 | | UNIT |
|------------------------------------|-----------------------------------|--------------------|------------|------|------------|------|------------|------|------------|------|------|
| | | | MIN. | MAX. | MIN. | MAX. | MIN. | MAX. | MIN. | MAX. | |
| Write Cycle Time | | T _{WC} | 10 | - | 12 | - | 15 | - | 20 | - | nS |
| Chip Selection to End of Write | | T _{CW} | 9 | - | 10 | - | 13 | - | 17 | - | nS |
| Address Valid to End of Write | | T _{AW} | 9 | - | 10 | - | 13 | - | 17 | - | nS |
| Address Setup Time | | T _{AS} | 0 | - | 0 | - | 0 | - | 0 | - | nS |
| Write Pulse Width | | T _{WP} | 9 | - | 10 | - | 10 | - | 12 | - | nS |
| Write Recovery Time | \overline{CS} , \overline{WE} | T _{WR} | 0 | - | 0 | - | 0 | - | 0 | - | nS |
| Data Valid to End of Write | | T _{DW} | 6 | - | 7 | - | 9 | - | 10 | - | nS |
| Data Hold from End of Write | | T _{DH} | 0 | - | 0 | - | 0 | - | 0 | - | nS |
| Write to Output in High Z | | T _{WHZ} * | - | 6 | - | 7 | - | 8 | - | 10 | nS |
| Output Disable to Output in High Z | | T _{OHZ} * | - | 6 | - | 7 | - | 8 | - | 10 | nS |
| Output Active from End of Write | | T _{OW} | 0 | - | 0 | - | 0 | - | 0 | - | nS |

* These parameters are sampled but not 100% tested.

TIMING WAVEFORMS

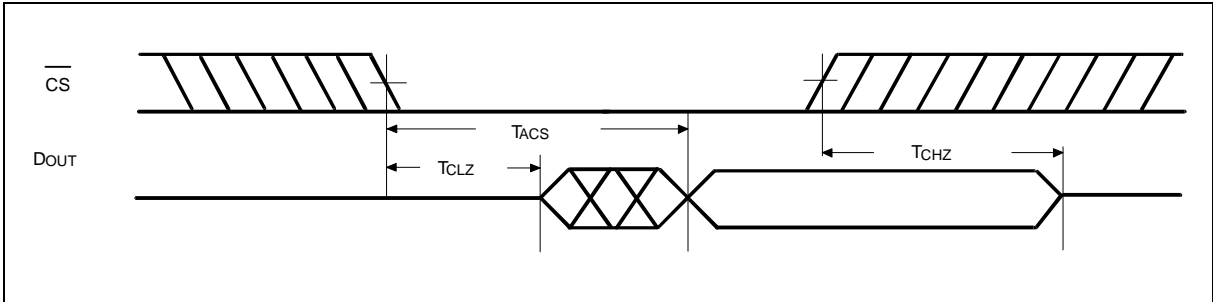
Read Cycle 1

(Address Controlled)



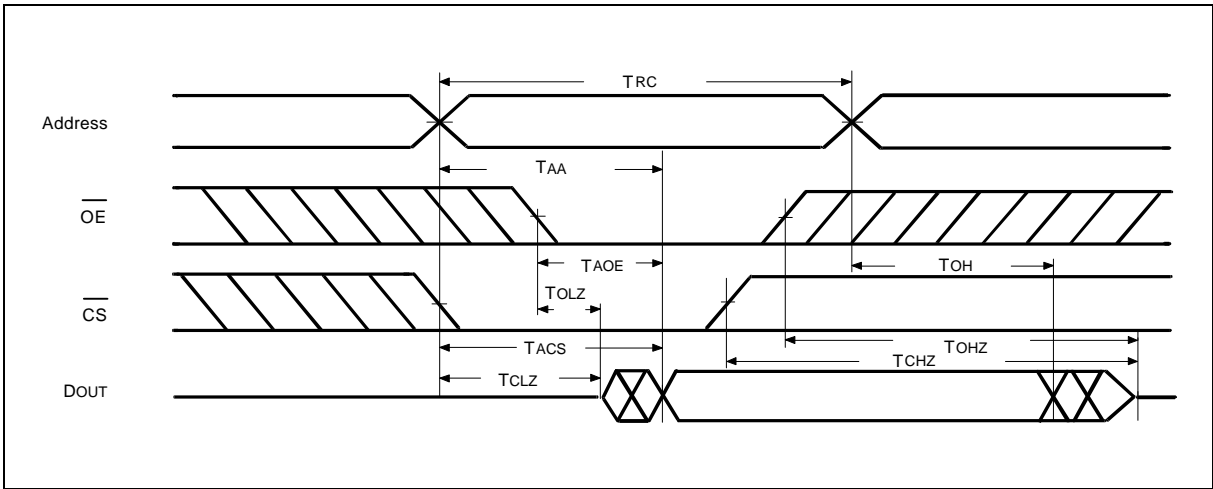
Read Cycle 2

(Chip Select Controlled)



Read Cycle 3

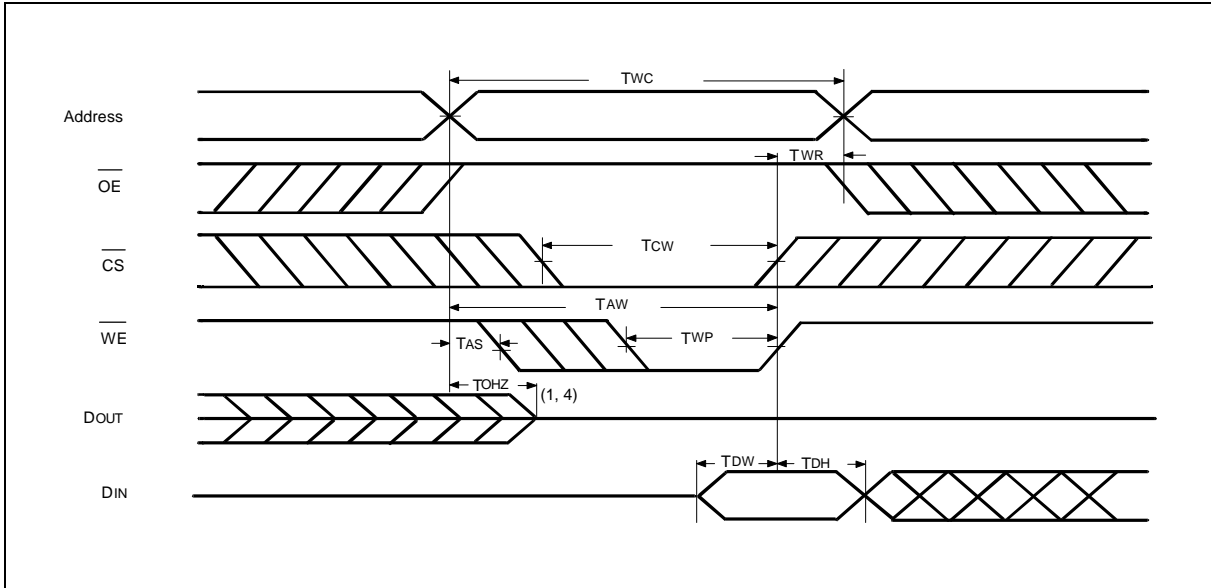
(Output Enable Controlled)



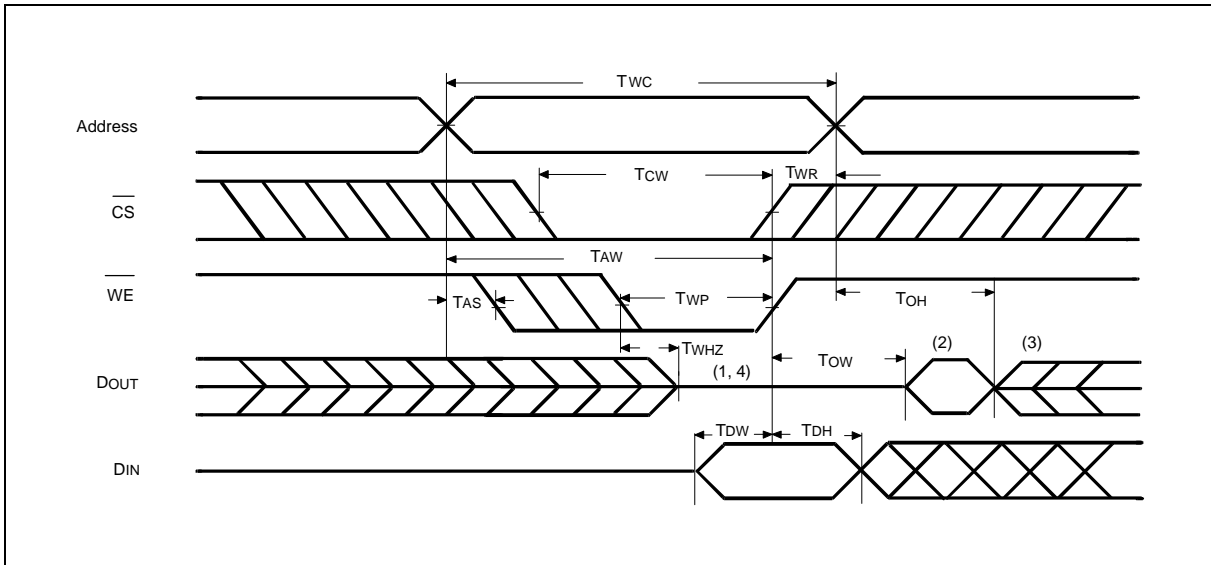


Timing Waveforms, continued

Write Cycle 1
(OE Clock)



Write Cycle 2
($\overline{OE} = V_{IL}$ Fixed)



Notes:

1. During this period, I/O pins are in the output state, so input signals of opposite phase to the outputs should not be applied.
2. The data output from DOUT are the same as the data written to DIN during the write cycle.
3. DOUT provides the read data for the next address.
4. Transition is measured ± 500 mV from steady state with $C_L = 5$ pF. This parameter is guaranteed but not 100% tested.



ORDERING INFORMATION

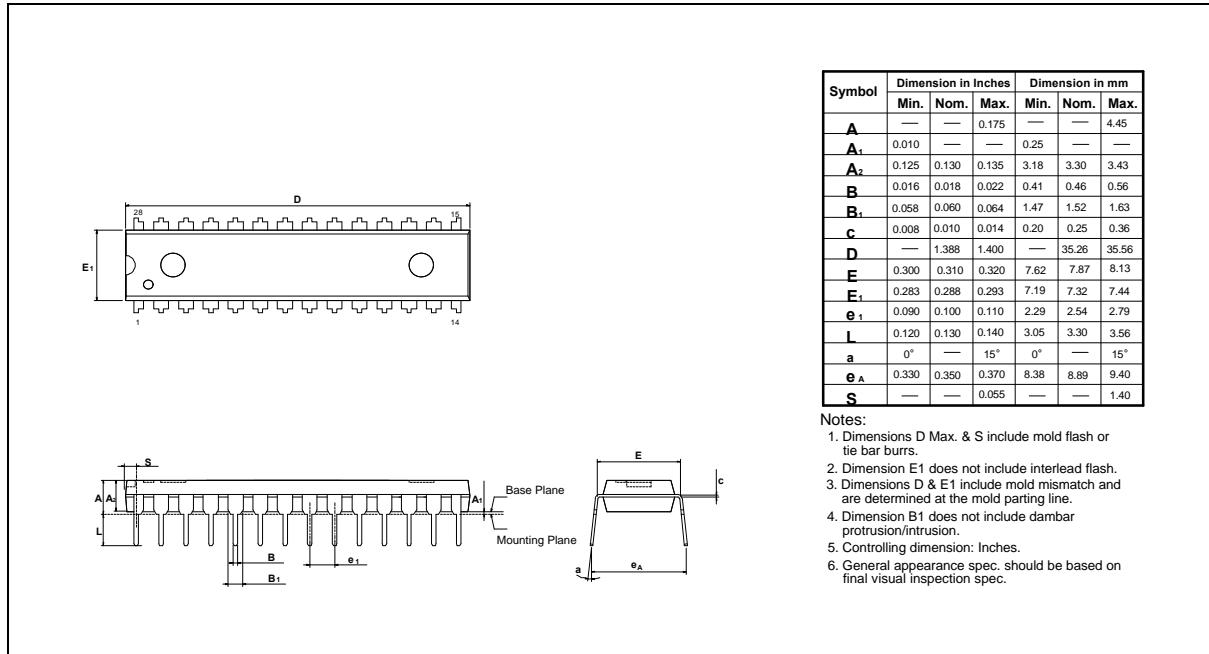
| PART NO. | ACCESS TIME (nS) | OPERATING CURRENT MAX. (mA) | STANDBY CURRENT MAX. (mA) | PACKAGE |
|-------------|------------------|-----------------------------|---------------------------|------------------------|
| W24257AK-10 | 10 | 170 | 10 | 300 mil skinny DIP |
| W24257AK-12 | 12 | 160 | 10 | 300 mil skinny DIP |
| W24257AK-15 | 15 | 150 | 10 | 300 mil skinny DIP |
| W24257AK-20 | 20 | 140 | 10 | 300 mil skinny DIP |
| W24257AJ-10 | 10 | 170 | 10 | 300 mil SOJ |
| W24257AJ-12 | 12 | 160 | 10 | 300 mil SOJ |
| W24257AJ-15 | 15 | 150 | 10 | 300 mil SOJ |
| W24257AJ-20 | 20 | 140 | 10 | 300 mil SOJ |
| W24257AS-10 | 10 | 170 | 10 | 330 mil SOP |
| W24257AS-12 | 12 | 160 | 10 | 330 mil SOP |
| W24257AS-15 | 15 | 150 | 10 | 330 mil SOP |
| W24257AS-20 | 20 | 140 | 10 | 330 mil SOP |
| W24257AQ-10 | 10 | 170 | 10 | Standard type one TSOP |
| W24257AQ-12 | 12 | 160 | 10 | Standard type one TSOP |
| W24257AQ-15 | 15 | 150 | 10 | Standard type one TSOP |
| W24257AQ-20 | 20 | 140 | 10 | Standard type one TSOP |

Notes:

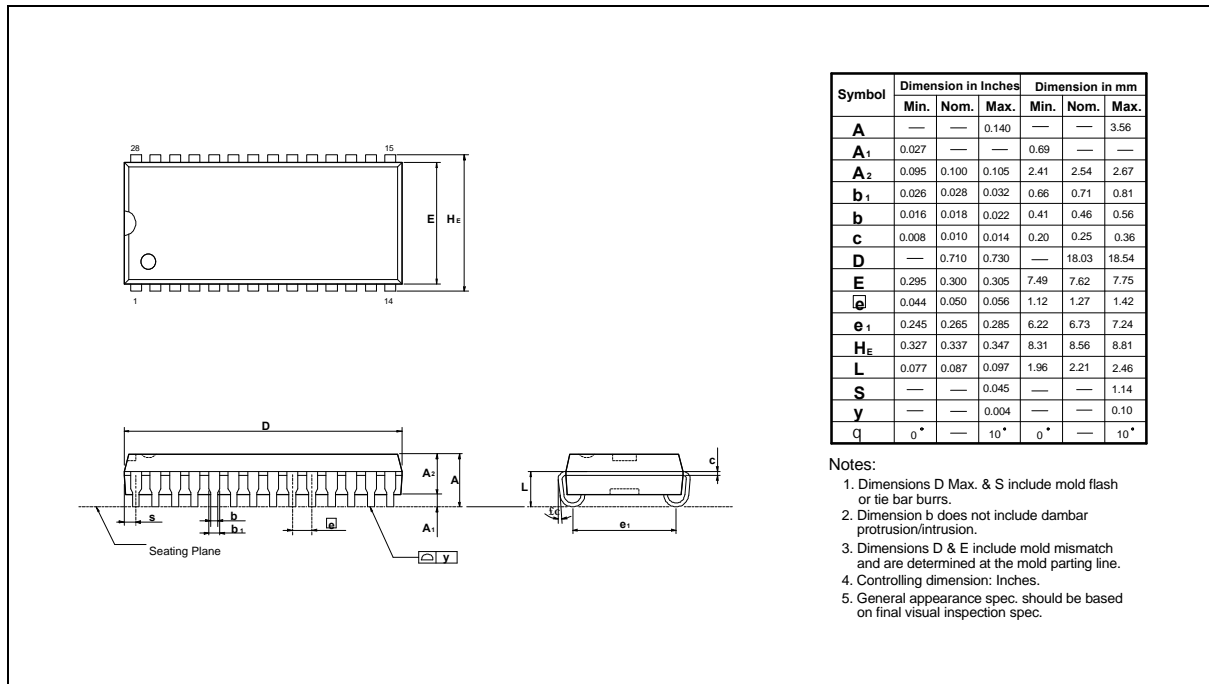
1. Winbond reserves the right to make changes to its products without prior notice.
2. Purchasers are responsible for performing appropriate quality assurance testing on products intended for use in applications where personal injury might occur as a consequence of product failure.

PACKAGE DIMENSIONS

28-pin P-DIP Skinny

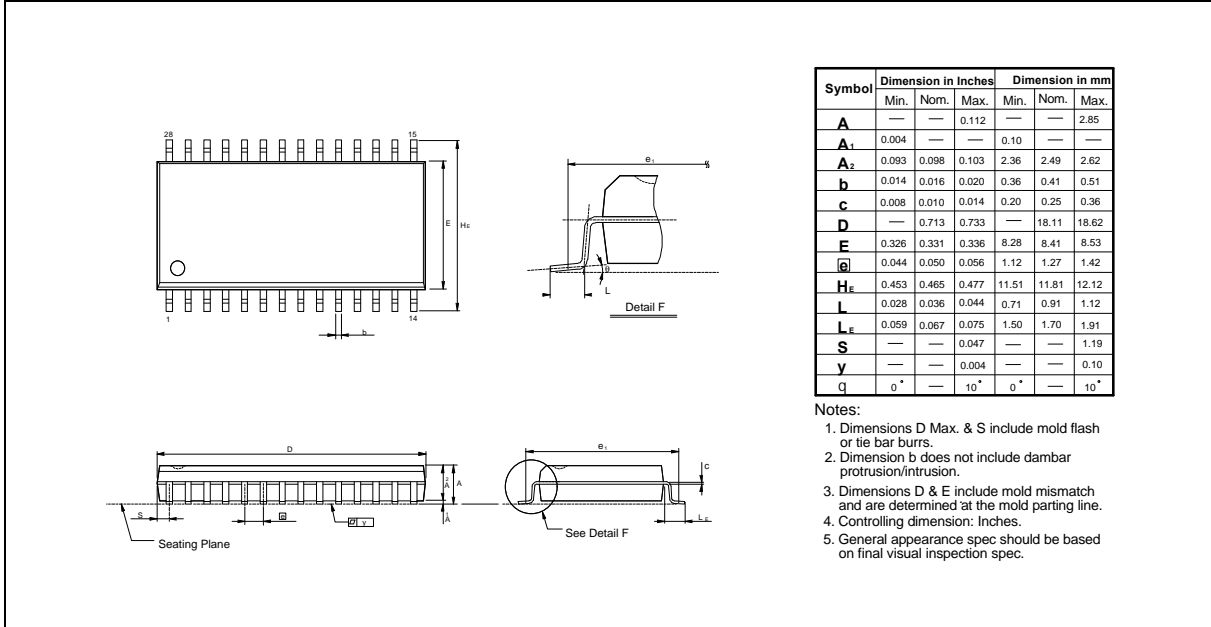


28-pin Small Outline J Band

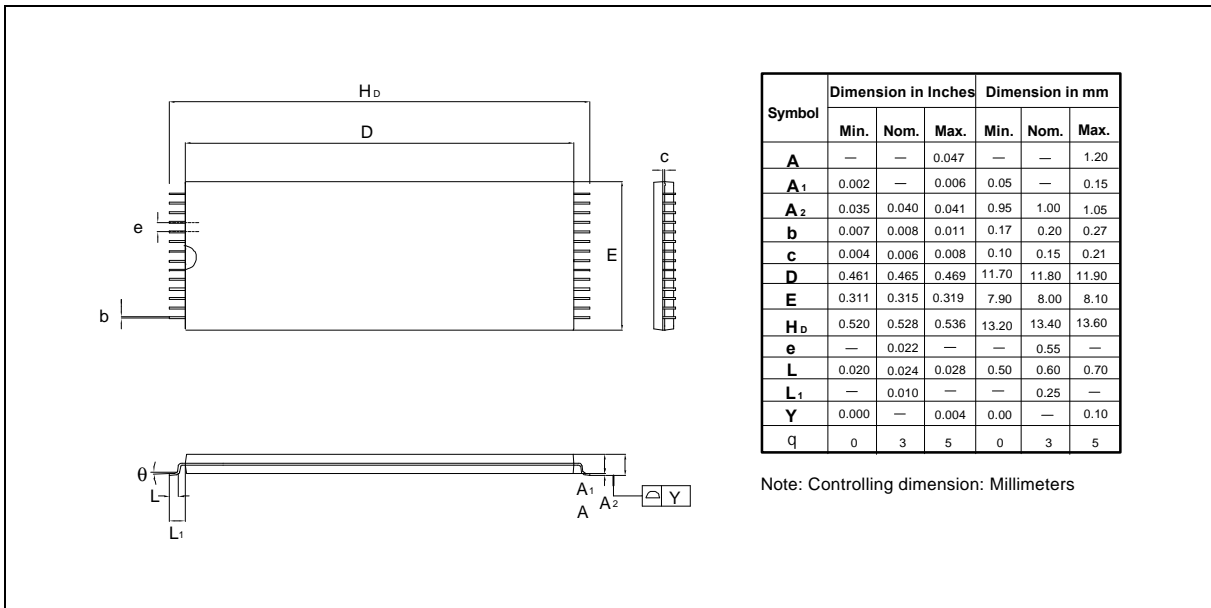


Package Dimensions, continued

28-pin SO Wide Body



28-pin Standard Type One TSOP





Headquarters

No. 4, Creation Rd. III,
Science-Based Industrial Park,
Hsinchu, Taiwan
TEL: 886-3-5770066
FAX: 886-3-5792647
<http://www.winbond.com.tw/>
Voice & Fax-on-demand: 886-2-7197006

Taipei Office

11F, No. 115, Sec. 3, Min-Sheng East Rd.,
Taipei, Taiwan
TEL: 886-2-7190505
FAX: 886-2-7197502

Winbond Electronics (H.K.) Ltd.

Rm. 803, World Trade Square, Tower II,
123 Hoi Bun Rd., Kwun Tong,
Kowloon, Hong Kong
TEL: 852-27513100
FAX: 852-27552064

Winbond Electronics North America Corp.

Winbond Memory Lab.
Winbond Microelectronics Corp.
Winbond Systems Lab.
2730 Orchard Parkway, San Jose,
CA 95134, U.S.A.
TEL: 1-408-9436666
FAX: 1-408-9436668

Note: All data and specifications are subject to change without notice.