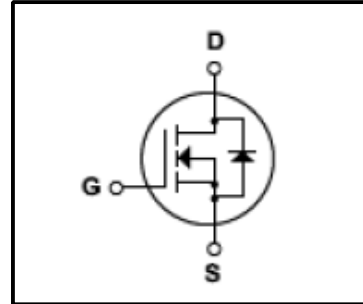


***Silicon N-Channel MOSFET***

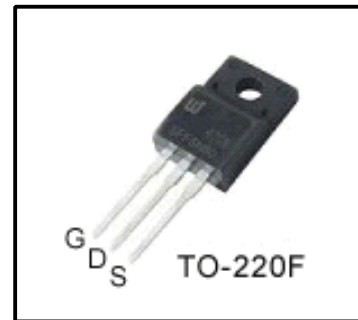
**Features**

- 4A,600V, $R_{DS(on)}$ (Max 2.5 $\Omega$ )@ $V_{GS}=10V$
- Ultra-low Gate Charge(Typical 16nC)
- Fast Switching Capability
- 100%Avalanche Tested
- Isolation Voltage( $V_{ISO}=4000V$  AC)
- Maximum Junction Temperature Range(150 $^{\circ}C$ )



**General Description**

This Power MOSFET is produced using Winsemi's advanced planar stripe, VDMOS technology. This latest technology has been especially designed to minimize on-state resistance, have a high rugged avalanche characteristics. This device is specially well suited for half bridge and full bridge resonant topology line a electronic lamp ballast.



**Absolute Maximum Ratings**

Symbol	Parameter	Value	Units
$V_{DSS}$	Drain Source Voltage	600	V
$I_D$	Continuous Drain Current(@ $T_c=25^{\circ}C$ )	4*	A
	Continuous Drain Current(@ $T_c=100^{\circ}C$ )	2.5*	A
$I_{DM}$	Drain Current Pulsed (Note1)	16*	A
$V_{GS}$	Gate to Source Voltage	$\pm 30$	V
$E_{AS}$	Single Pulsed Avalanche Energy (Note2)	240	mJ
$E_{AR}$	Repetitive Avalanche Energy (Note1)	10	mJ
dv/dt	Peak Diode Recovery dv /dt (Note3)	4.5	V/ ns
$P_D$	Total Power Dissipation(@ $T_c=25^{\circ}C$ )	33	W
	Derating Factor above 25 $^{\circ}C$	0.26	W/ $^{\circ}C$
$T_J, T_{stg}$	Junction and Storage Temperature	-55~150	$^{\circ}C$
$T_L$	Channel Temperature	300	$^{\circ}C$

\*Drain current limited by maximum junction temperature

**Thermal Characteristics**

Symbol	Parameter	Value			Units
		Min	Typ	Max	
$R_{QJC}$	Thermal Resistance , Junction -to -Case	-	-	3.79	$^{\circ}C/W$
$R_{QJA}$	Thermal Resistance , Junction-to -Ambient	-	-	62.5	$^{\circ}C/W$

**Electrical Characteristics(Tc=25 °C)**

Characteristics	Symbol	Test Condition	Min	Type	Max	Unit	
Gate leakage current	I <sub>GSS</sub>	V <sub>GS</sub> =±30V, V <sub>DS</sub> =0V	-	-	±100	nA	
Gate-source breakdown voltage	V <sub>(BR)GSS</sub>	I <sub>G</sub> =±10 μA, V <sub>DS</sub> =0V	±30	-	-	V	
Drain cut -off current	I <sub>DSS</sub>	V <sub>DS</sub> =600V, V <sub>GS</sub> =0V	-	-	10	μA	
		V <sub>DS</sub> =480V, Tc=125 °C	-	-	100	μA	
Drain -source breakdown voltage	V <sub>(BR)DSS</sub>	I <sub>D</sub> =250 μA, V <sub>GS</sub> =0V	600	-	-	V	
Gate threshold voltage	V <sub>GS(th)</sub>	V <sub>DS</sub> =10V, I <sub>D</sub> =250 μA	2	-	4	V	
Drain -source ON resistance	R <sub>DS(ON)</sub>	V <sub>GS</sub> =10V, I <sub>D</sub> =3.25A	-	1.8	2.5	Ω	
Input capacitance	C <sub>iss</sub>	V <sub>DS</sub> =25V, V <sub>GS</sub> =0V, f=1MHz	-	545	670	pF	
Reverse transfer capacitance	C <sub>rss</sub>		-	7	10		
Output capacitance	C <sub>oss</sub>		-	70	90		
Switching time	Rise time	t <sub>r</sub>	V <sub>DD</sub> =300V, I <sub>D</sub> =4.4A, R <sub>G</sub> =25Ω, (Note4,5)	-	10	30	ns
	Turn-on time	t <sub>on</sub>		-	35	80	
	Fall time	t <sub>f</sub>		-	45	100	
	Turn-off time	t <sub>off</sub>		-	20	50	
Total gate charge(gate-source plus gate-drain)	Q <sub>g</sub>	V <sub>DD</sub> =480V, V <sub>GS</sub> =10V, I <sub>D</sub> =4.4A (Note4,5)	-	16	20	nC	
Gate-source charge	Q <sub>gs</sub>		-	3.4	-		
Gate-drain("miller") Charge	Q <sub>gd</sub>		-	7	-		

**Source-Drain Ratings and Characteristics(Ta=25 °C)**

Characteristics	Symbol	Test Condition	Min	Type	Max	Unit
Continuous drain reverse current	I <sub>DR</sub>	-	-	-	4	A
Pulse drain reverse current	I <sub>DRP</sub>	-	-	-	17.6	A
Forward voltage(diode)	V <sub>DSF</sub>	I <sub>DR</sub> =4.4A, V <sub>GS</sub> =0V	-	-	1.4	V
Reverse recovery time	t <sub>rr</sub>	I <sub>DR</sub> =4.4A, V <sub>GS</sub> =0V, dI <sub>DR</sub> / dt =100 A / μs	-	390	-	ns
Reverse recovery charge	Q <sub>rr</sub>		-	2.2	-	μC

Note 1.Repeativity rating :pulse width limited by junction temperature

2.L=18.5mH I<sub>AS</sub>=4.4A, V<sub>DD</sub>=50V, R<sub>G</sub>=0Ω , Starting T<sub>J</sub>=25 °C

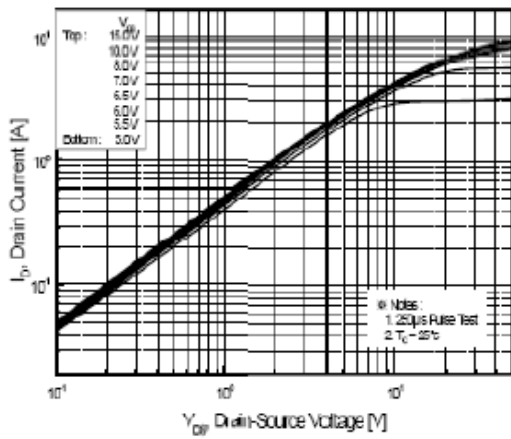
3.I<sub>SD</sub>≤4A, di/dt≤200A/us, V<sub>DD</sub><BV<sub>DSS</sub>, STARTING T<sub>J</sub>=25 °C

4.Pulse Test:Pulse Width≤300us, Duty Cycle≤2%

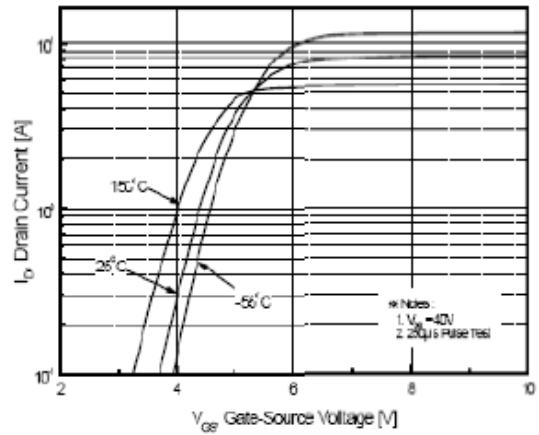
5. Essentially independent of operating temperature.

This transistor is an electrostatic sensitive device

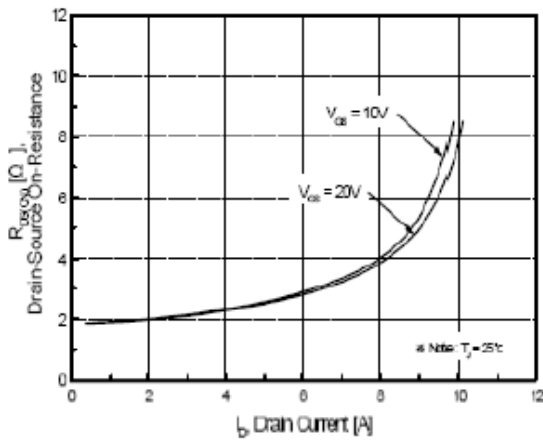
Please handle with caution



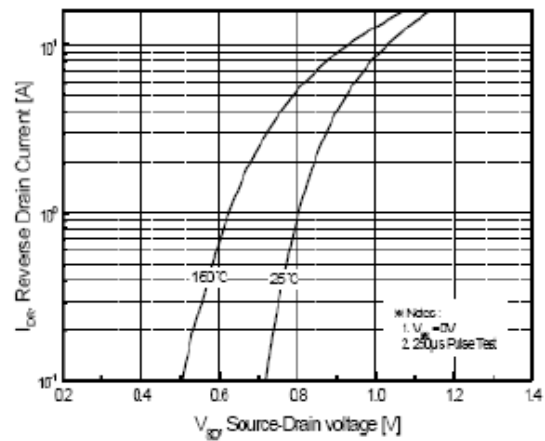
**Fig.1 On-State Characteristics**



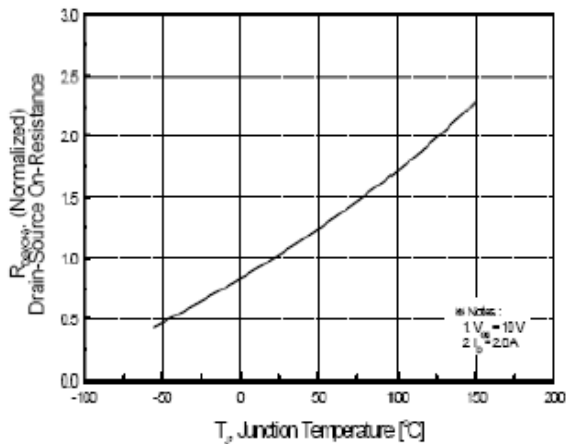
**Fig.2 Transfer Current characteristics**



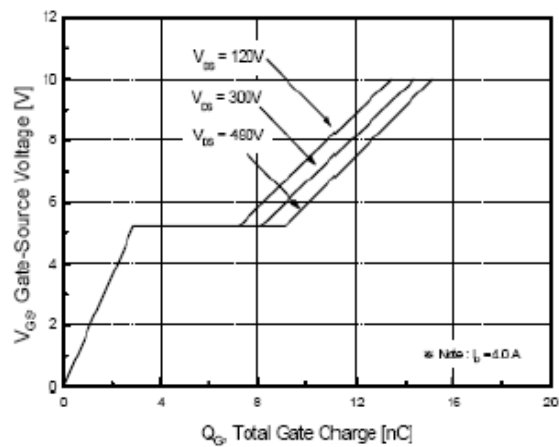
**Fig.3 On Resistance variation vs Drain Current**



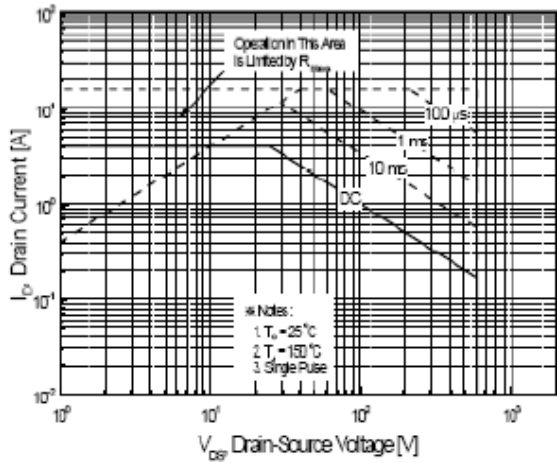
**Fig.4 Body Diode Forward Voltage Variation vs Source Current and temperature**



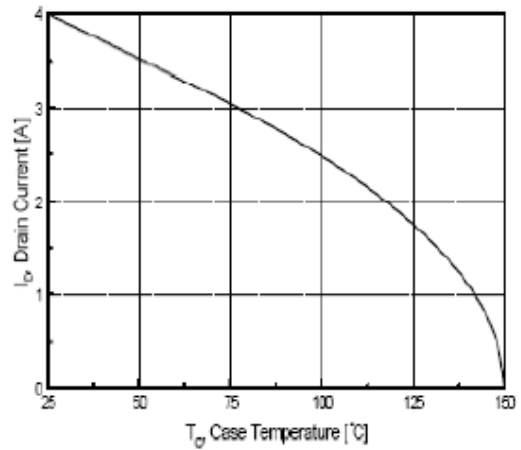
**Fig.5 On-Resistance Variation vs Junction Temperature**



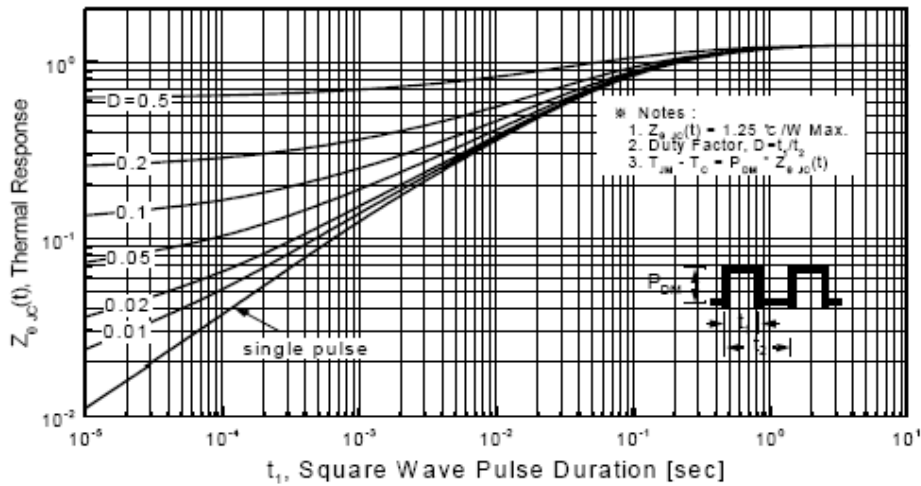
**Fig.6 Gate Charge Characteristics**



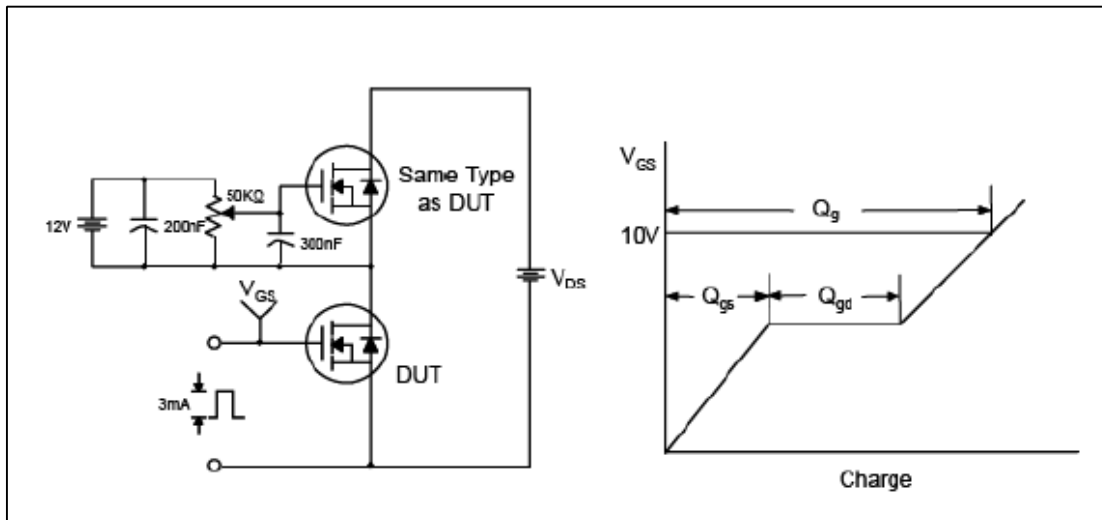
**Fig.7 Maximum Safe Operation Area**



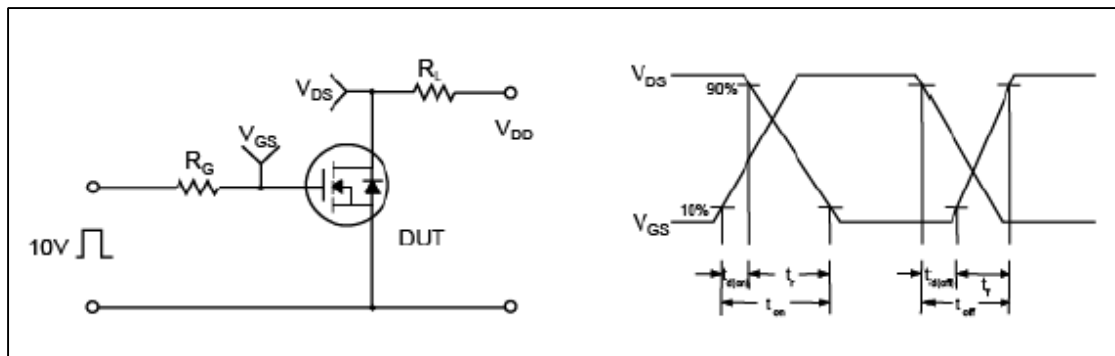
**Fig.8 Maximum Drain Current vs Case Temperature**



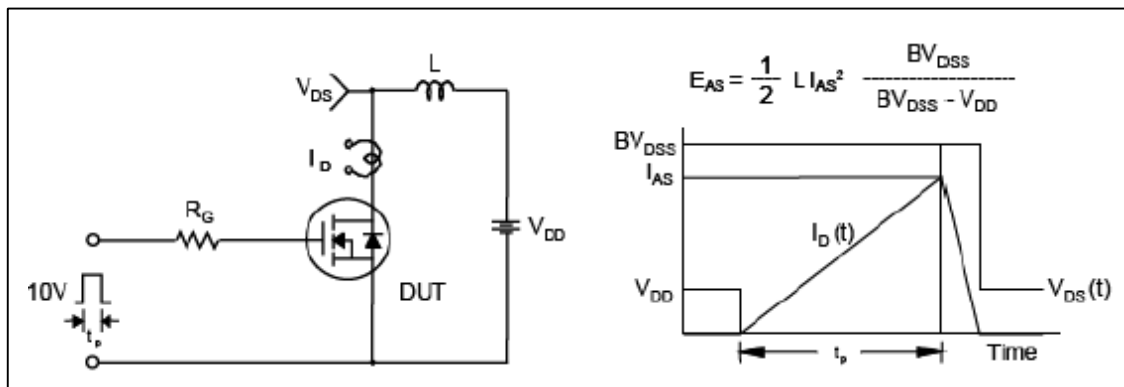
**Fig.9 Transient Thermal Response curve**



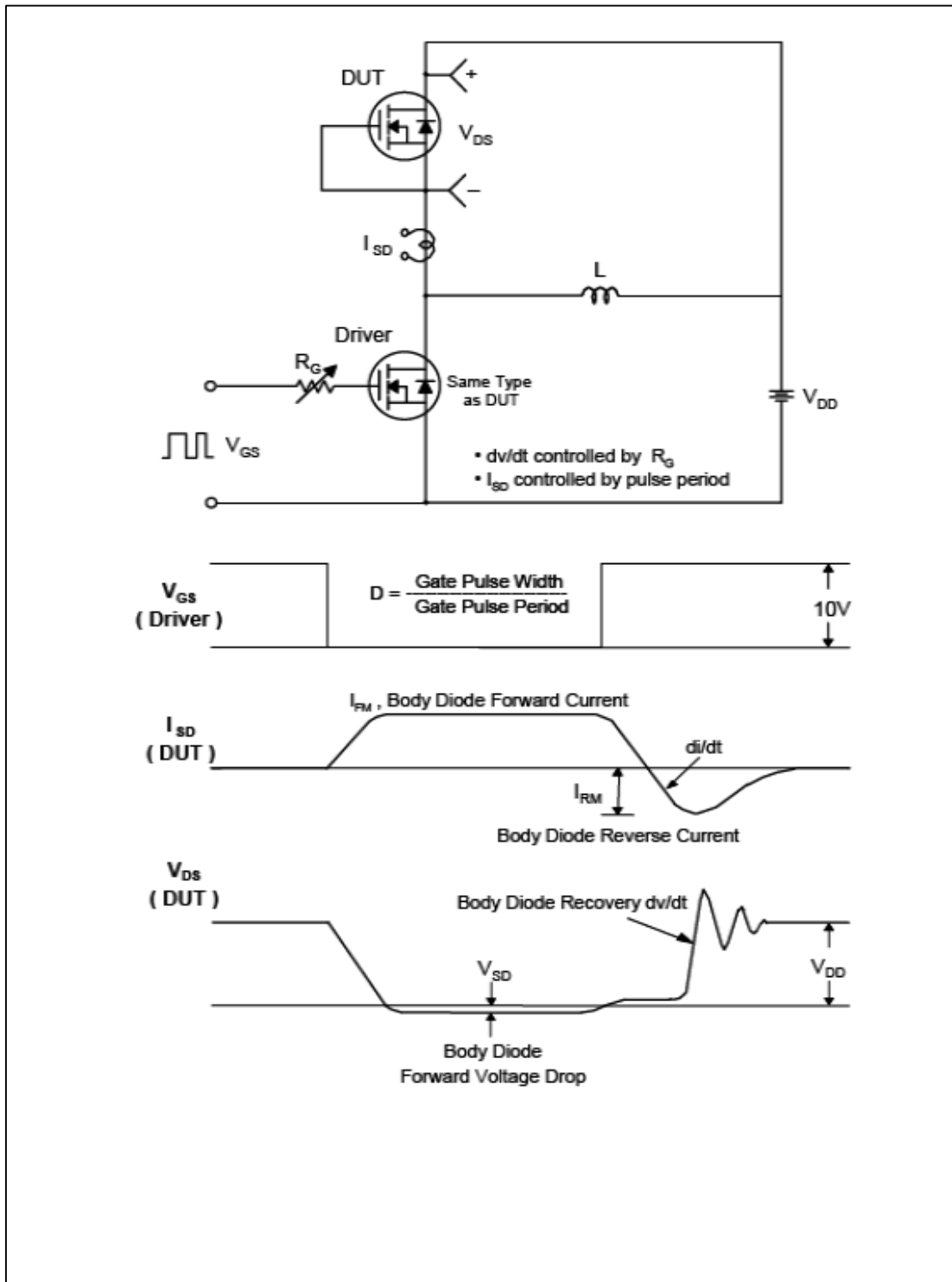
**Fig.10 Gate Test circuit & Waveform**



**Fig.11 Resistive Switching Test Circuit & Waveform**



**Fig.12 Uncamped Inductive Switching Test Circuit & Waveform**



**Fig.13 Peak Diode Recovery  $dv/dt$  Test Circuit & Waveform**

**TO-220F Package Dimension**

