



# ETA-USA

THE POWER PROFESSIONALS

## WRD\*\*FWX-O

## 100Watt AC/DC Dual Output



Universal Input  
 Compact design with Inrush current protection  
 Dual Output  
 -WRD21FWX-O: 5V, 24V -WRD24FWX-O: 5V, 12V  
 2 year Warranty



		UNIT	
<b>INPUT</b>	<b>Voltage/Freq</b>	V	AC85V ~ 132V / 180V ~ 264V or DC 240V ~ 370V, 50/60Hz (47 ~ 440Hz), Auto Selectable
	<b>Current Typ.</b>	A	1.8A at 110V; .1A at 220V (I <sub>o</sub> =100%)
	<b>Power Factor</b>	-	--
	<b>Inrush Current</b>	A	20A typ (AC IN 110V, I <sub>o</sub> =100%), 40A typ (AC IN 220V, I <sub>o</sub> =100%) at cold start
	<b>Leakage</b>	mA	0.35 mA @ 110, .75 mA @220

		UNIT	WRD24FWX-O		WRD21FWX-O	
<b>OUTPUT</b>	<b>Nominal Voltage</b>	VDC	5	12	5	24
	<b>Efficiency typ</b>	%	75		75	
	<b>Current</b>	A	1~10	4	1~10	2.0
	<b>Line Regulation</b>	mV (max)	25	60	25	120
	<b>Load Regulation</b>	mV(max)	50	120	50	240
	<b>Ripple</b>	mVp-p	80	120	80	120
	<b>Ripple Noise maximum</b>	mVp-p	120	150	120	150
	<b>Temperature Drift [0-+50C]</b>	mV	75	180	75	360
	<b>Rise Time</b>	mS	500 max [AC IN 100V I <sub>o</sub> =100%]			
	<b>Hold up Time</b>	mS	17 typ [AC IN 100V ,I <sub>o</sub> =100%]			
<b>Grounding</b>		Individual Ground				

<b>Protection</b>	<b>Over Voltage</b>	Works at 115~140% of rating
	<b>Over Current</b>	Works at 110% over rated current and recovers automatically
<b>Isolation</b>	<b>Input-Output</b>	AC 3,000V 1 minute current 20mA, DC 500V 100MΩ (At room temperature & Humidity)
	<b>Input-F.G</b>	AC 2,000V 1 minute current 20mA, DC 500V 100MΩ (At room temperature & Humidity)
	<b>Output-F.G</b>	AC 500V 1 minute current 100mA, DC 500V 100MΩ (At room temperature & Humidity)
<b>Environment</b>	<b>Operating temp/hum</b>	-10 ~ +70 , 20 ~ 90% RH(Non condensing)
	<b>Storage temp/hum</b>	-20 ~ +75 , 20 ~ 90% RH(Non condensing)
	<b>Vibration</b>	10 ~ 55Hz at 1G, 3 minutes period, 30 minutes along X, Y and Z axis
<b>Safety</b>	<b>Impact</b>	10G for 20ms once on each X, Y and Z axis
	<b>CE/ CB</b>	IEC 60950-1,
<b>Size</b>	<b>Line Con RF Voltage</b>	EN55022-A
	<b>MM/G</b>	82 * 45 * 175(190)/ 560



# ETA-USA

16170 Vineyard Blvd, Suite 180 Morgan Hill, CA 95037 <http://www.eta-usa.com>  
 Toll-free (US only): 800-ETA-POWR (800-382-7697) Telephone: 408 778-2793 FAX: 408-779-2753



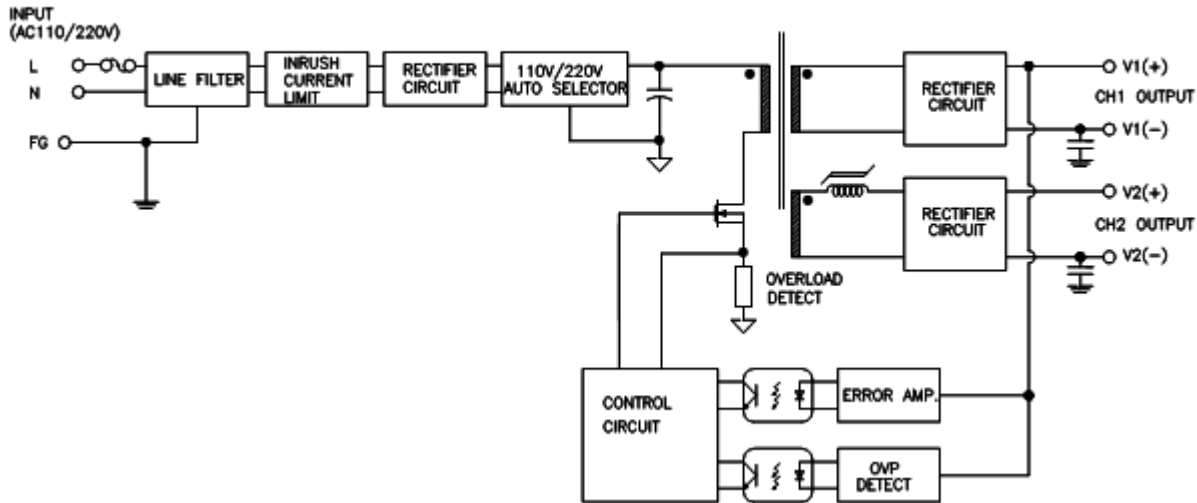
# ETA-USA

THE POWER PROFESSIONALS

## BLOCK DIAGRAM

WRD24FWX-O WRD21FWX-O

### 1. BLOCK DIAGRAM



# ETA-USA

16170 Vineyard Blvd, Suite 180 Morgan Hill, CA 95037 <http://www.eta-usa.com>  
Toll-free (US only): 800-ETA-POWR (800-382-7697) Telephone: 408 778-2793 FAX: 408-779-2753

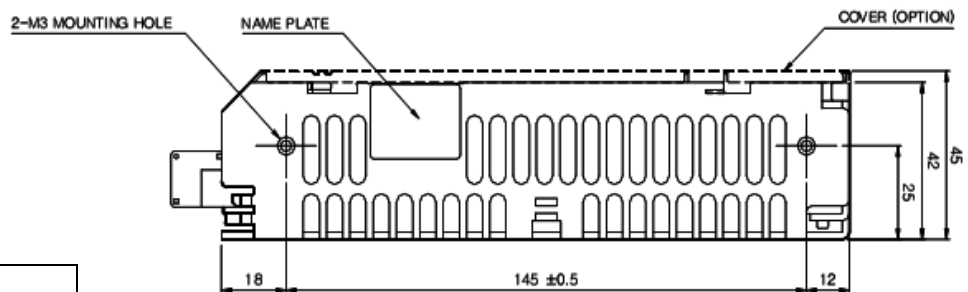
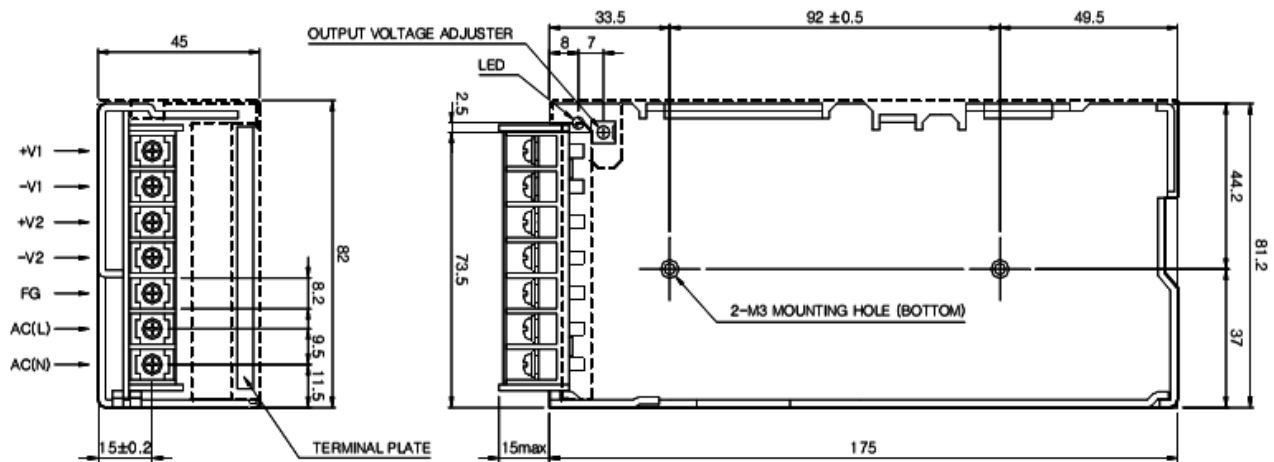


# ETA-USA

THE POWER PROFESSIONALS

## DIMENSIONAL DRAWING (mm)

WRD24FWX-O WRD21FWX-O



Mark	Pin Connection
L	AC input line
N	AC input neutral
FG	AC Chassis Ground
+V1	DC V1 Output
-V1	DC V1 Return
+V2	DC V2 Output
-V1	DC V2 Return



# ETA-USA

16170 Vineyard Blvd, Suite 180 Morgan Hill, CA 95037 <http://www.eta-usa.com>  
Toll-free (US only): 800-ETA-POWR (800-382-7697) Telephone: 408 778-2793 FAX: 408-779-2753



## DERATING CURVE AND RECCOMENDED MOUNTING DIAGRAM

