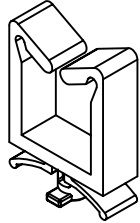
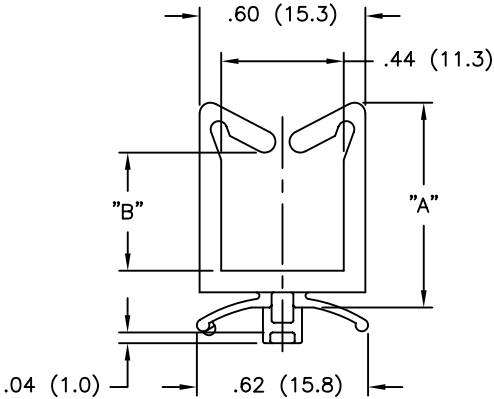
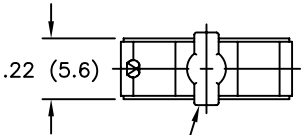


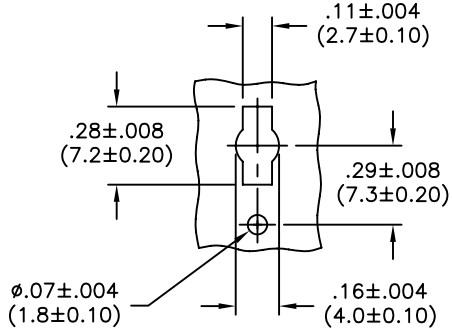
PART NO.	DIM. "A"	DIM. "B"
WS-9-1	.51 (13.0)	.19 (4.8)
WS-9-2	.70 (17.8)	.39 (10.0)
WS-9-3	1.06 (26.9)	.75 (19.1)
WS-9-4	1.37 (34.8)	1.07 (27.2)



MOUNTING HOLE DETAIL



PART TO FIT THE HOLE DETAIL
IN A .031-.063 (0.80-1.60)
PANEL THICK



NOTES:

- MATERIAL: NYLON 6/6 (RMS-01), UL94 V-2
FLAME RETARDANT, NYLON (RMS-19), UL94 V-0,
AVAILABLE BY SPECIAL ORDER ONLY.
- COLOR: NATURAL.
- ALL DIMENSIONS ARE REFERENCE.

REV	DESCRIPTION	ENGR	DATE
A	REDRAWN FROM RICHCO UK PRINT (REV."A")	SM	03.06.02

TITLE: WIRE SADDLE, (QUARTER-TURN BASE)				DWG IN IN (MM) FINAL		PRINT TYPE CA	
TOLERANCES UNLESS NOTED .XX=±.010 .XXX=±.005 FRAC=±1/64 ANG=±1°		FILE # WS-9	DWN: SM	APP:	PART # SEE TABLE		PRINT TYPE CA
		MAT'L: SEE NOTES	DT: 03/06/02	DT:			
		RE: RICHCO, INC.	RICHCO INC. PO BOX 804238, CHICAGO, 60680 (773) 539-4060				