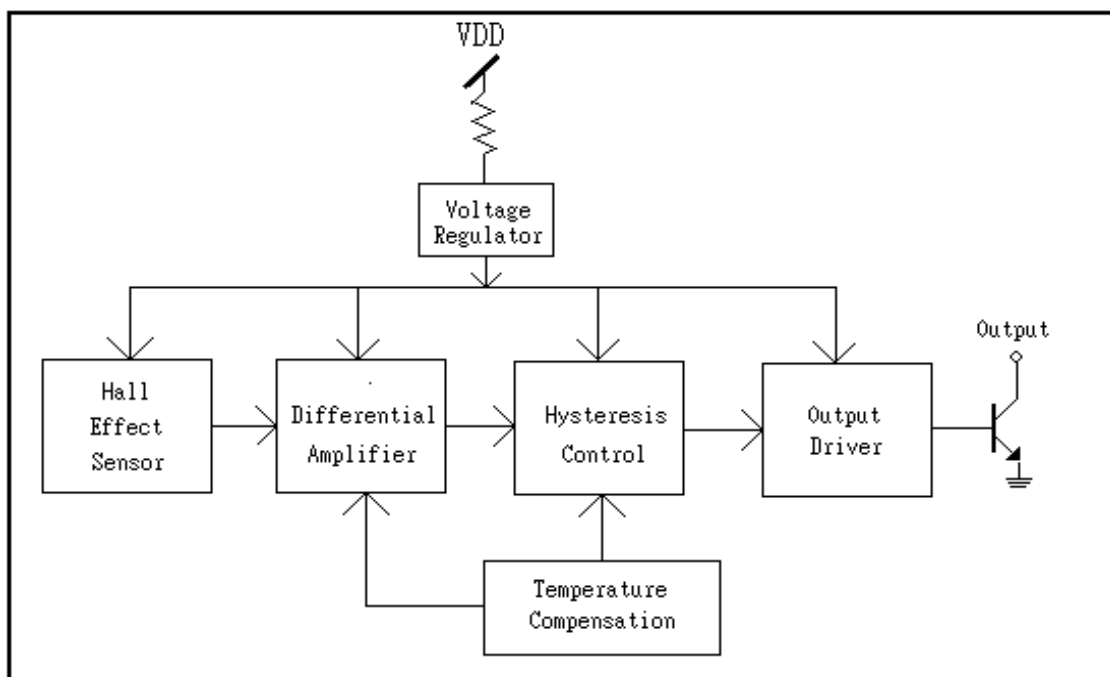


| | | | |
|--------------------------------|-----------------------------|-------|-------------------|
| Output breakdown Voltage | $V_{out(\text{breakdown})}$ | ----- | 30V |
| Magnetic flux density | B | ----- | Unlimited |
| Reverse Protection Voltage | V_r | ----- | 26V |
| Output ON Current (continuous) | I_c | ----- | 25mA |
| Operating Temperature Range | T_a | ----- | (-40°C to +125°C) |
| Storage Temperature Range | T_s | ----- | (-65°C to +150°C) |
| Package Power Dissipation | P_d | ----- | 500mw |

Electrical Characteristics: (T=+25°C, Vcc=2.4V to 26V)

| Characteristic | Symbol | Test Conditions | Min | Typ | Max | Units |
|---------------------------|-----------------------|------------------------------------|-----|------|-----|---------|
| Supply Voltage | Vcc | — | 2.4 | — | 26 | V |
| Output Saturation Voltage | $V_{out(\text{sat})}$ | Vcc=12V, Ic=10mA B > Bop | — | 0.2 | 0.6 | V |
| Output Leakage Current | Ileakage | Vcc=12V, B<Brp | — | <0.1 | 10 | uA |
| Supply Current | Isupply | Vcc=12V, Output Open | — | 2.0 | 5 | mA |
| Output Rise Time | Tr | Vcc=12V, RL=2K Ω CL=20Pf | — | 1.0 | 10 | μ s |
| Output Falling Time | Tf | Vcc=12V, RL=2K Ω CL=20Pf | — | 0.3 | 1.5 | μ s |

Function Block:




Magnetic Characteristics:

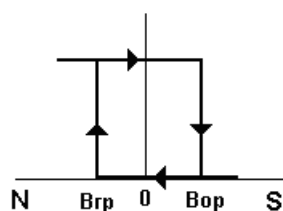
| Characteristic | Symbol | Grade | Min. | Typ. | Max. | Unit |
|-------------------|--------|-------|------|------|------|-------|
| Operating Point | Bop | A | +5 | + 30 | + 50 | Gauss |
| | | B | | + 50 | + 70 | Gauss |
| | | C | | | +120 | Gauss |
| Release Point | Brp | A | -50 | - 30 | -5 | Gauss |
| | | B | -70 | -50 | | Gauss |
| | | C | -120 | | | Gauss |
| Hysteresis Window | Bhys | | | 60 | 100 | Gauss |

* + mean South magnetic field, 1mT=10 Gauss

Ordering Information:

| | |
|--|--|
| WSH130-XPAN □ (T0-92) | Grade: 1: 50 Gauss 2: 70 Gauss 3: 120 Gauss |
| WSH130-XPCN □ (SOT23) | |
|  Grade Halogen Free | |

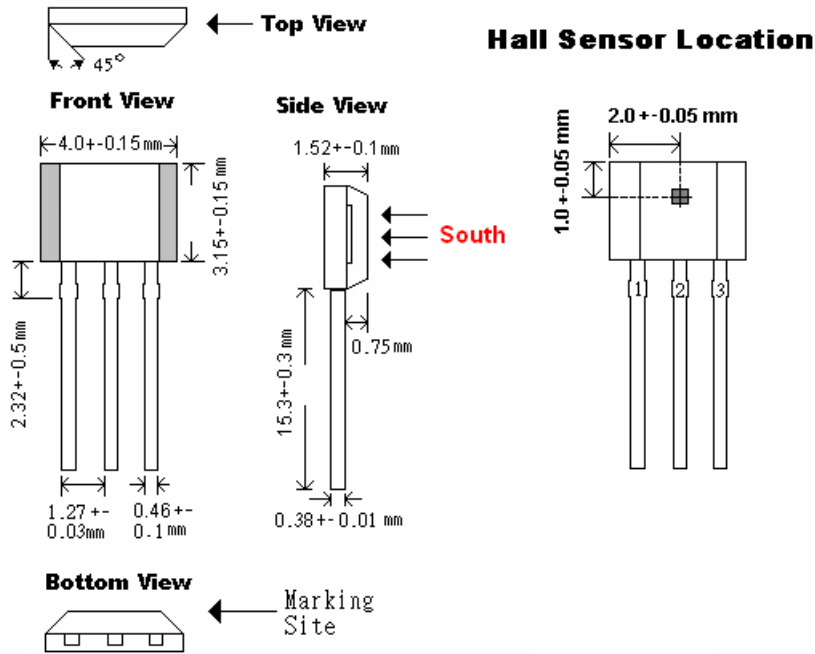
Output vs. Magnetic Field



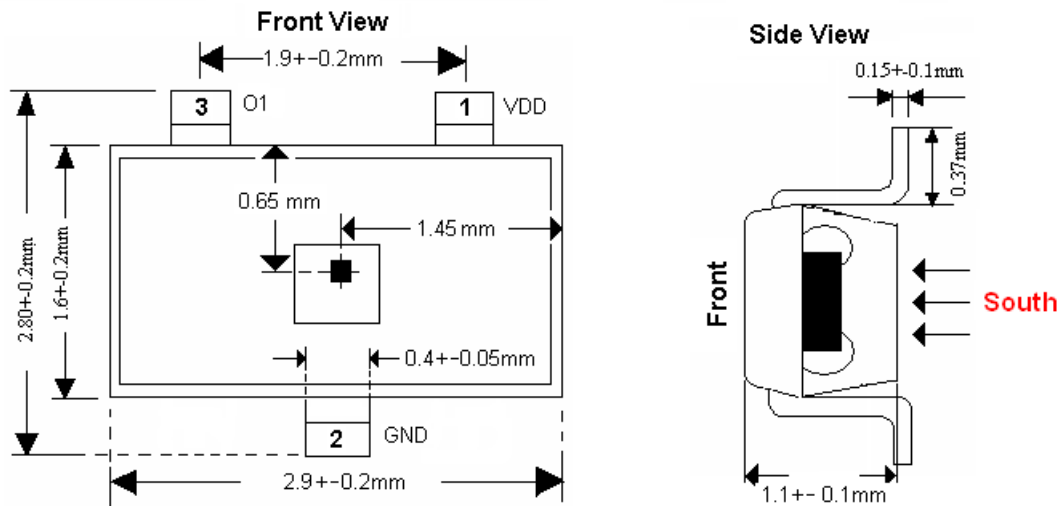
Winson reserves the right to make changes to improve reliability or manufacturability.

Package Information:

TO-92S:



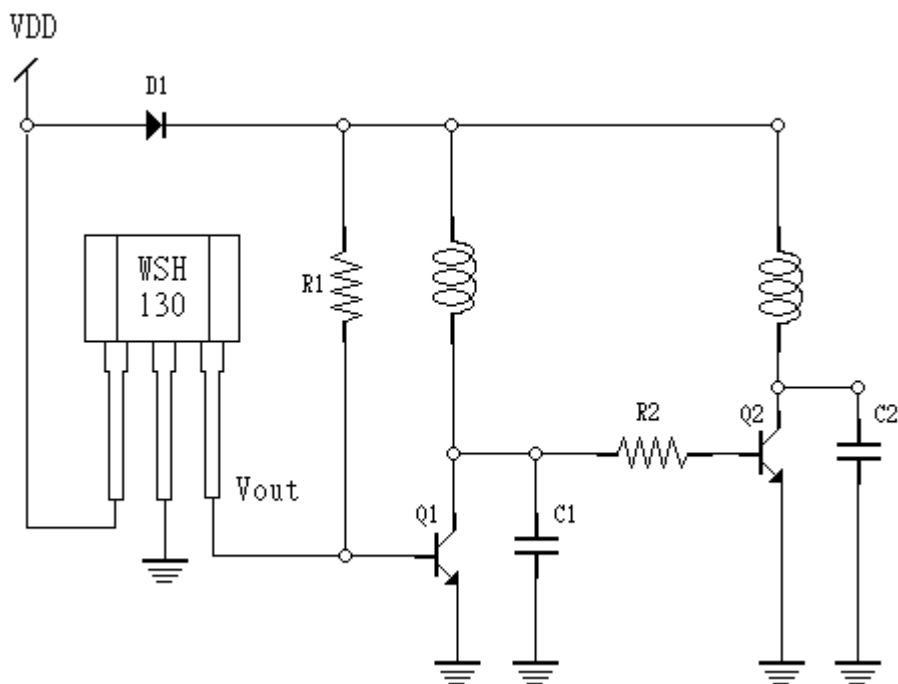
SOT23:



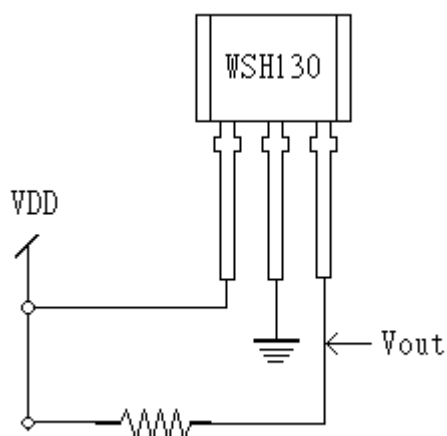
Winson reserves the right to make changes to improve reliability or manufacturability.

Application Circuit:

Fan Application:



Magnetic detector:



Winson reserves the right to make changes to improve reliability or manufacturability.