



**Type** > [WTB15-B2431](#)  
**Part No.** > [1043326](#)



*Illustration may differ*

**At a glance**

- Photoelectric proximity sensor with background suppression and 200 mm sensing distance
- Suppression of background reflections based on OES3 ASIC technology, with second LED emitter
- Red PinPoint LED
- Mounting flexibility: M18 front mount using plastic nut or snap ring, side assembly with 24.1 mm through holes
- Flush mounting possible using the snap ring
- Transparent back cover

**Your benefits**

- Photoelectric proximity sensor with best-in-class background suppression, reducing product loss and increasing throughput
- Reliable object detection, even in difficult environments
- Perfect light spot visibility and light spot geometry simplifies alignment
- Completely compatible with many competitor models, making it easy to install and commission
- Flush mounting reduces setup time and prevents obstructions to material flow on conveyor sections
- Clearly visible LED indicators reduce setup time and simplify troubleshooting



**Features**

Sensor/detection principle:	Photoelectric proximity sensor, Background suppression
Dimensions (W x H x D):	16.2 mm x 48.5 mm x 31.9 mm
Housing design (light emission):	Hybrid
Thread diameter (housing):	M18 x 1
Sensing range max.:	4 mm ... 200 mm <sup>1)</sup>
Sensing range:	15 mm ... 200 mm
Type of light:	Visible red light
Light source:	PinPoint LED <sup>2)</sup>
Wave length:	650 nm
Light spot size (distance):	Ø 7 mm (50 mm)

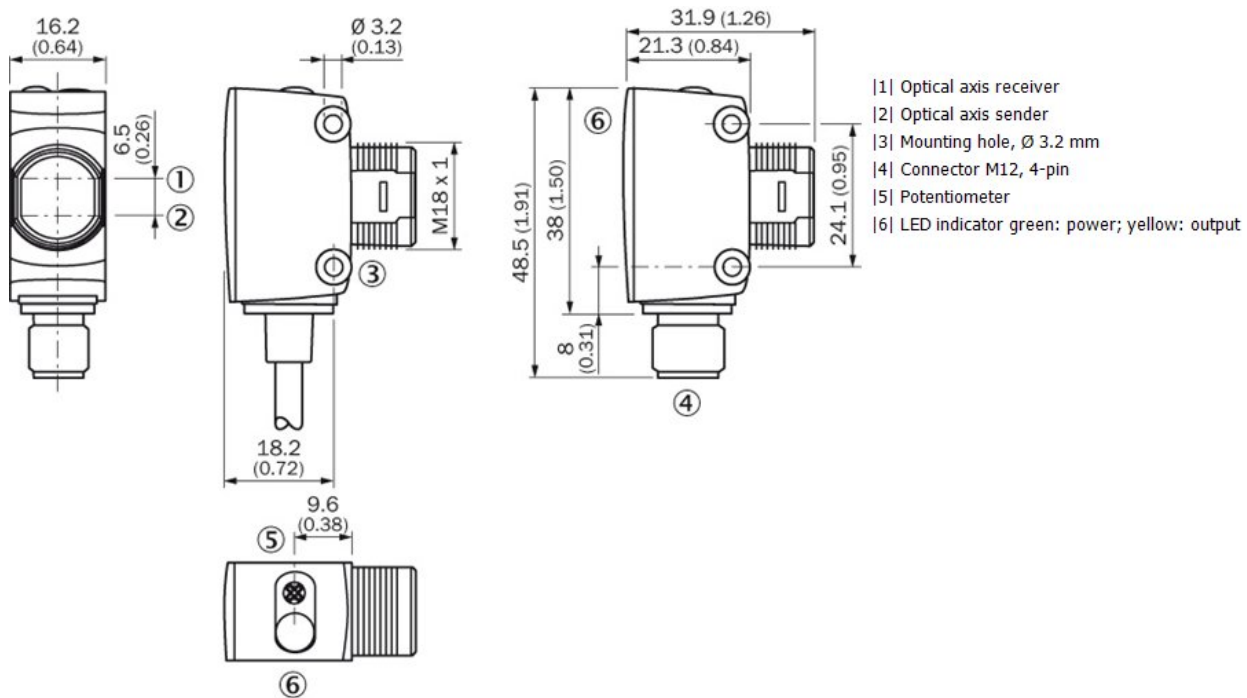
<sup>1)</sup> Object with 90 % reflectance (referred to standard white, DIN 5033)    <sup>2)</sup> Average service life of 100,000 h at T<sub>A</sub> = +25 °C

**Mechanics/electronics**

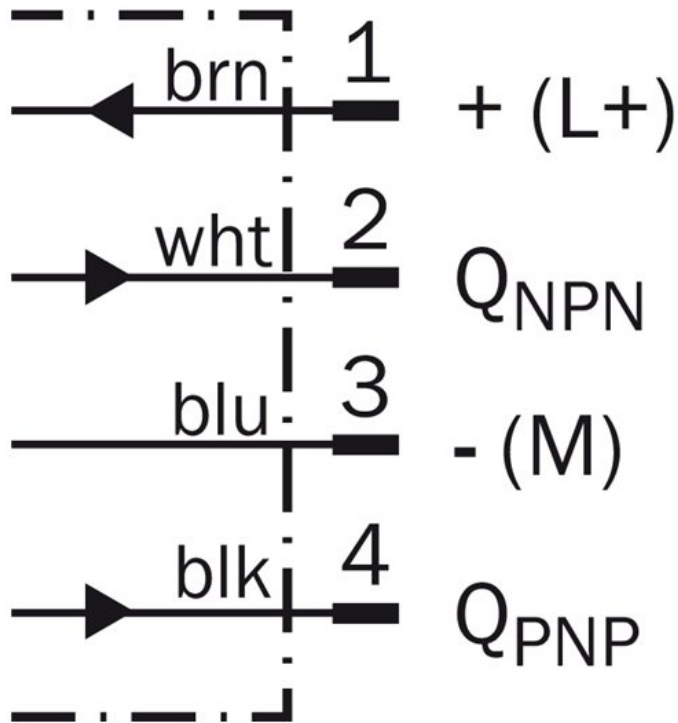
Supply voltage:	10 V DC ... 30 V DC <sup>1)</sup>
Ripple:	< 5 V <sub>pp</sub> <sup>2)</sup>
Power consumption:	≤ 30 mA <sup>3)</sup>
Output type:	NPN, PNP
Switching mode:	Light switching
Output current I <sub>max</sub> :	≤ 100 mA <sup>4)</sup>
Response time:	< 0.5 ms <sup>4)</sup>
Switching frequency:	1,000 Hz <sup>5)</sup>
Connection type:	M12, 4-pin male connector
Circuit protection:::	A, B, D <sup>6) 7) 8)</sup>
Protection class:	II <sup>9)</sup>
Weight:	10 g
Optics material:	PMMA
Enclosure rating:	IP 66 IP 67
Items supplied:	Snap-ring and M18 nut
Ambient operating temperature:	-40 °C ... +60 °C
Ambient storage temperature:	-40 °C ... +75 °C
UL File No.:	NRKH.E189383 & NRKH7.E189383
Housing material:	ABS, Plastic

<sup>1)</sup> Limit values, operation in short-circuit protected network max. 8 A   
<sup>2)</sup> May not exceed or fall short of V<sub>S</sub> tolerances   
<sup>3)</sup> Without load   
<sup>4)</sup> Signal transit time with resistive load   
<sup>5)</sup> With light/dark ratio 1:1   
<sup>6)</sup> A = V<sub>S</sub> connections reverse-polarity protected   
<sup>7)</sup> B = inputs and output reverse-polarity protected   
<sup>8)</sup> D = outputs overcurrent and short-circuit protected   
<sup>9)</sup> Reference voltage: 50 V DC

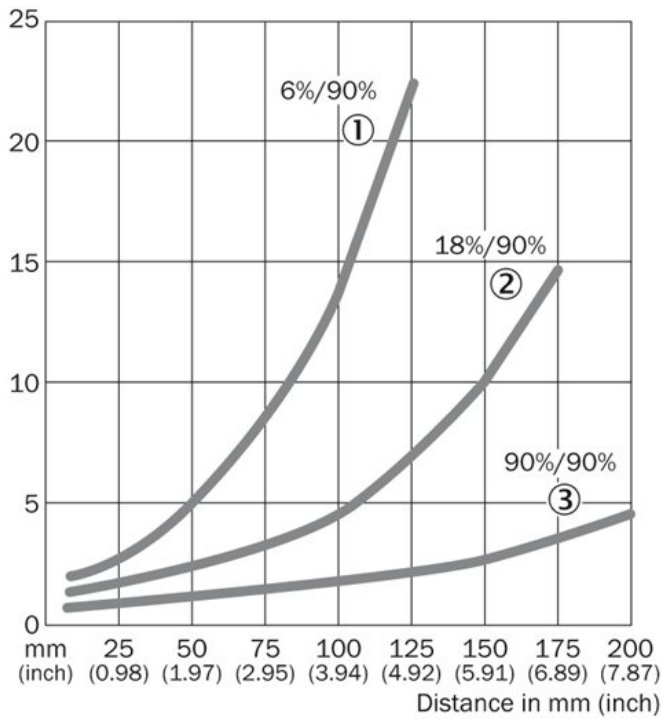
## Dimensional drawing



Connection diagram

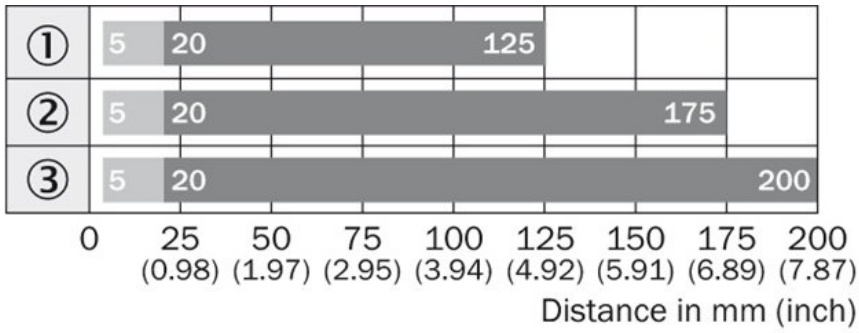


Characteristic curve



- [1] Sensing range on black, 6 % remission
- [2] Sensing range on gray, 18 % remission
- [3] Sensing range on white, 90 % remission

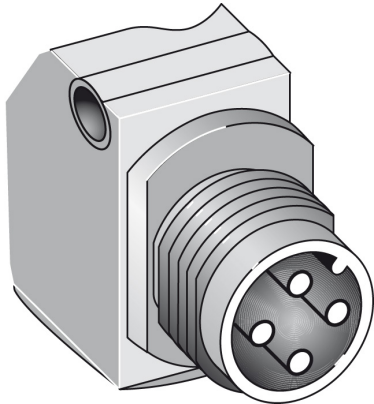
### Sensing range diagram



- |1| Sensing range on black, 6 % remission
- |2| Sensing range on gray, 18 % remission
- |3| Sensing range on white, 90 % remission

■ Sensing range      ■ Sensing range max.

### Connection type



**Australia**

Phone +61 3 9457 0600  
1800 33 48 02 – tollfree  
E-Mail sales@sick.com.au

**Belgium/Luxembourg**

Phone +32 (0)2 466 55 66  
E-Mail info@sick.be

**Brasil**

Phone +55 11 3215-4900  
E-Mail marketing@sick.com.br

**Canada**

Phone +1 905 771 14 44  
E-Mail information@sick.com

**Česká republika**

Phone +420 2 57 91 18 50  
E-Mail sick@sick.cz

**China**

Phone +86 4000 121 000  
E-Mail info.china@sick.net.cn  
Phone +852-2153 6300  
E-Mail ghk@sick.com.hk

**Danmark**

Phone +45 45 82 64 00  
E-Mail sick@sick.dk

**Deutschland**

Phone +49 211 5301-301  
E-Mail info@sick.de

**España**

Phone +34 93 480 31 00  
E-Mail info@sick.es

**France**

Phone +33 1 64 62 35 00  
E-Mail info@sick.fr

**Great Britain**

Phone +44 (0)1727 831121  
E-Mail info@sick.co.uk

**India**

Phone +91-22-4033 8333  
E-Mail info@sick-india.com

**Israel**

Phone +972-4-6881000  
E-Mail info@sick-sensors.com

**Italia**

Phone +39 02 27 43 41  
E-Mail info@sick.it

**Japan**

Phone +81 (0)3 5309 2112  
E-Mail support@sick.jp

**Magyarország**

Phone +36 1 371 2680  
E-Mail office@sick.hu

**Nederland**

Phone +31 (0)30 229 25 44  
E-Mail info@sick.nl

**Norge**

Phone +47 67 81 50 00  
E-Mail sick@sick.no

**Österreich**

Phone +43 (0)22 36 62 28 8-0  
E-Mail office@sick.at

**Polska**

Phone +48 22 837 40 50  
E-Mail info@sick.pl

**România**

Phone +40 356 171 120  
E-Mail office@sick.ro

**Russia**

Phone +7-495-775-05-30  
E-Mail info@sick.ru

**Schweiz**

Phone +41 41 619 29 39  
E-Mail contact@sick.ch

**Singapore**

Phone +65 6744 3732  
E-Mail sales.gsg@sick.com

**Slovenija**

Phone +386 (0)1-47 69 990  
E-Mail office@sick.si

**South Africa**

Phone +27 11 472 3733  
E-Mail info@sickautomation.co.za

**South Korea**

Phone +82 2 786 6321/4  
E-Mail info@sickkorea.net

**Suomi**

Phone +358-9-25 15 800  
E-Mail sick@sick.fi

**Sverige**

Phone +46 10 110 10 00  
E-Mail info@sick.se

**Taiwan**

Phone +886 2 2375-6288  
E-Mail sales@sick.com.tw

**Türkiye**

Phone +90 (216) 528 50 00  
E-Mail info@sick.com.tr

**United Arab Emirates**

Phone +971 (0) 4 88 65 878  
E-Mail info@sick.ae

**USA/México**

Phone +1(952) 941-6780  
1 (800) 325-7425 – tollfree  
E-Mail info@sickusa.com

More representatives and agencies  
at [www.sick.com](http://www.sick.com)