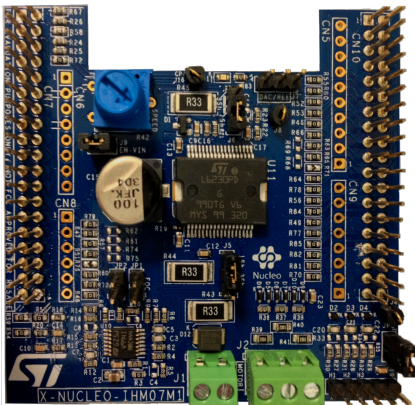


## Three-phase brushless DC motor driver expansion board based on L6230 for STM32 Nucleo



### Features

- 3-phase driver for BLDC/PMSM motors
- Nominal operating voltage range from 8 V to 48 VDC
- 2.8 A output peak current (1.4 A<sub>RMS</sub>)
- Operating frequency up to 100 kHz
- Non dissipative overcurrent detection and protection
- Cross-conduction protection
- Thermal measuring and overheating protection
- Compatible with STM32 Nucleo boards
- Fully compatible with STM32 Motor Control SDK (X-CUBE-MCSDK-Y)
- Equipped with ST morpho connectors
- Three-shunt and single-shunt configurable jumpers for motor current sensing
- Hall/Encoder motor sensor connector and circuit
- Debug connector for DAC, GPIOs, etc.
- Potentiometer available for speed regulation
- User LED
- RoHS compliant

### Description

The X-NUCLEO-IHM07M1 is a three-phase brushless DC motor driver expansion board based on the L6230 for STM32 Nucleo. It provides an affordable and easy-to-use solution for driving three-phase brushless DC motor in your STM32 Nucleo project.

The X-NUCLEO-IHM07M1 is compatible with the ST Morpho connector and supports the addition of other boards which can be stacked with onto a single STM32 Nucleo board.

The user can also mount the Arduino UNO R3 connector. The driver used on this expansion board is the L6230, a DMOS fully integrated driver for three-phase brushless DC motors assembled in a PowerSO-36 package (L6230PD), with overcurrent and thermal protection.

The L6230 driver is optimized for six-step and FOC algorithms thanks to independent current sensing.

Product summary	
Three-phase brushless DC motor driver expansion board based on L6230 for STM32 Nucleo	X-NUCLEO-IHM07M1
DMOS driver for three-phase brushless DC motors	L6230
STM32 Motor Control SDK	X-CUBE-MCSDK-Y
Applications	Industrial Motor Control PMSM/BLDC Motor

# 1 Schematic diagrams

Figure 1. X-NUCLEO-IHM07M1 circuit schematic (1 of 4)

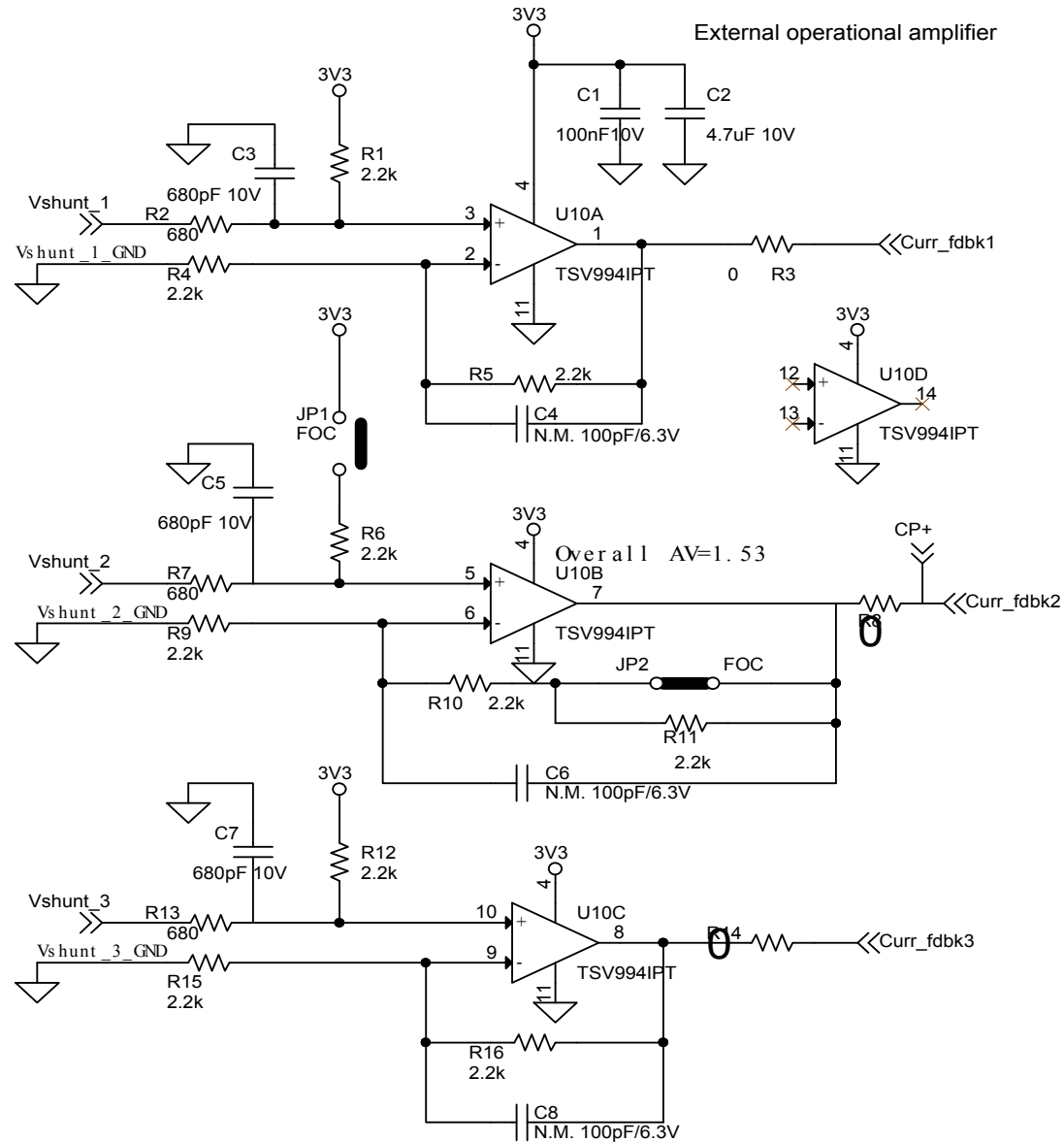


Figure 2. X-NUCLEO-IHM07M1 circuit schematic (2 of 4)

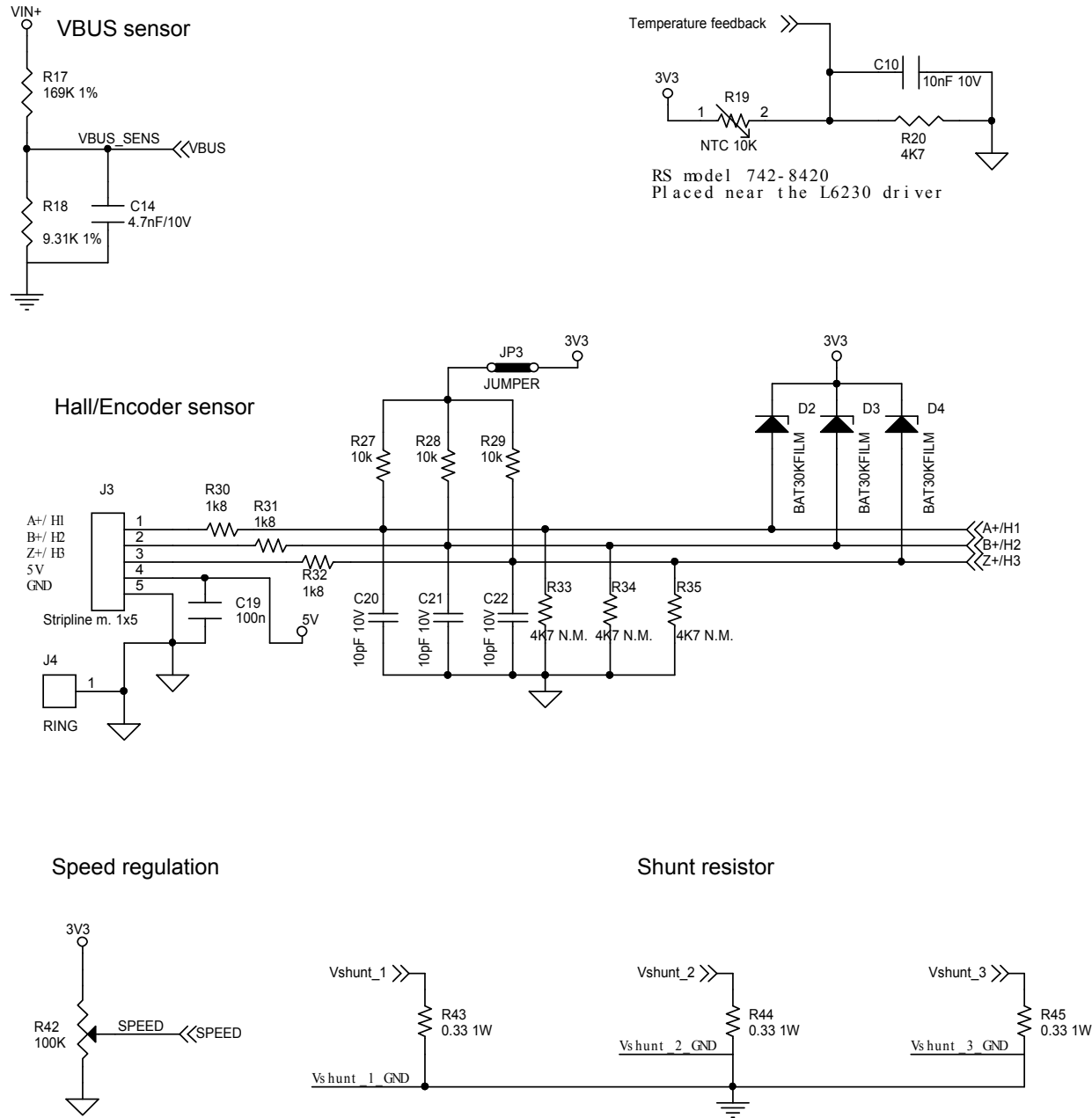
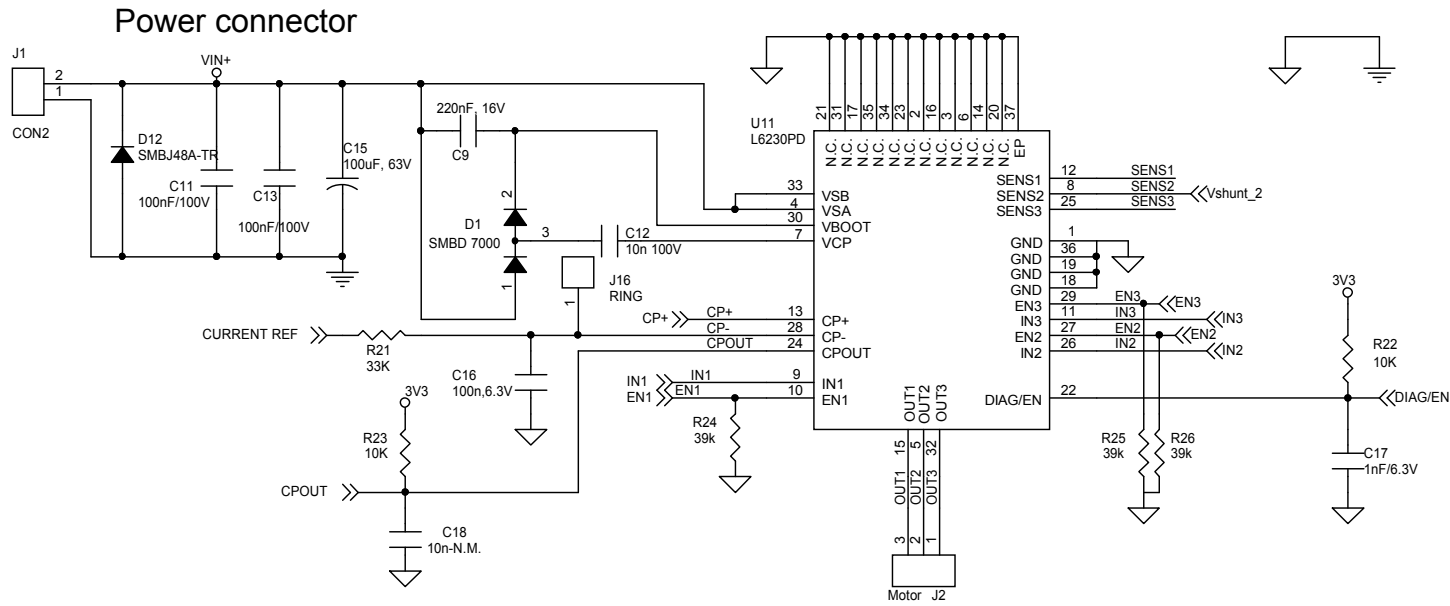
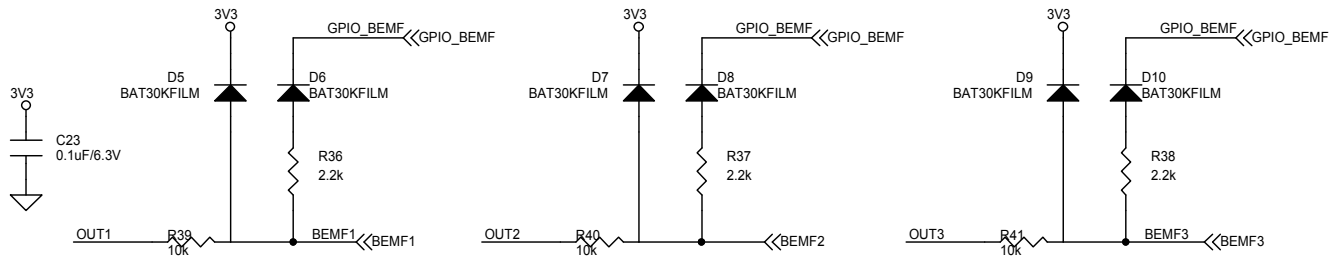


Figure 3. X-NUCLEO-IHM07M1 circuit schematic (3 of 4)  
L6230 DMOS driver for three-phase brushless DC motor



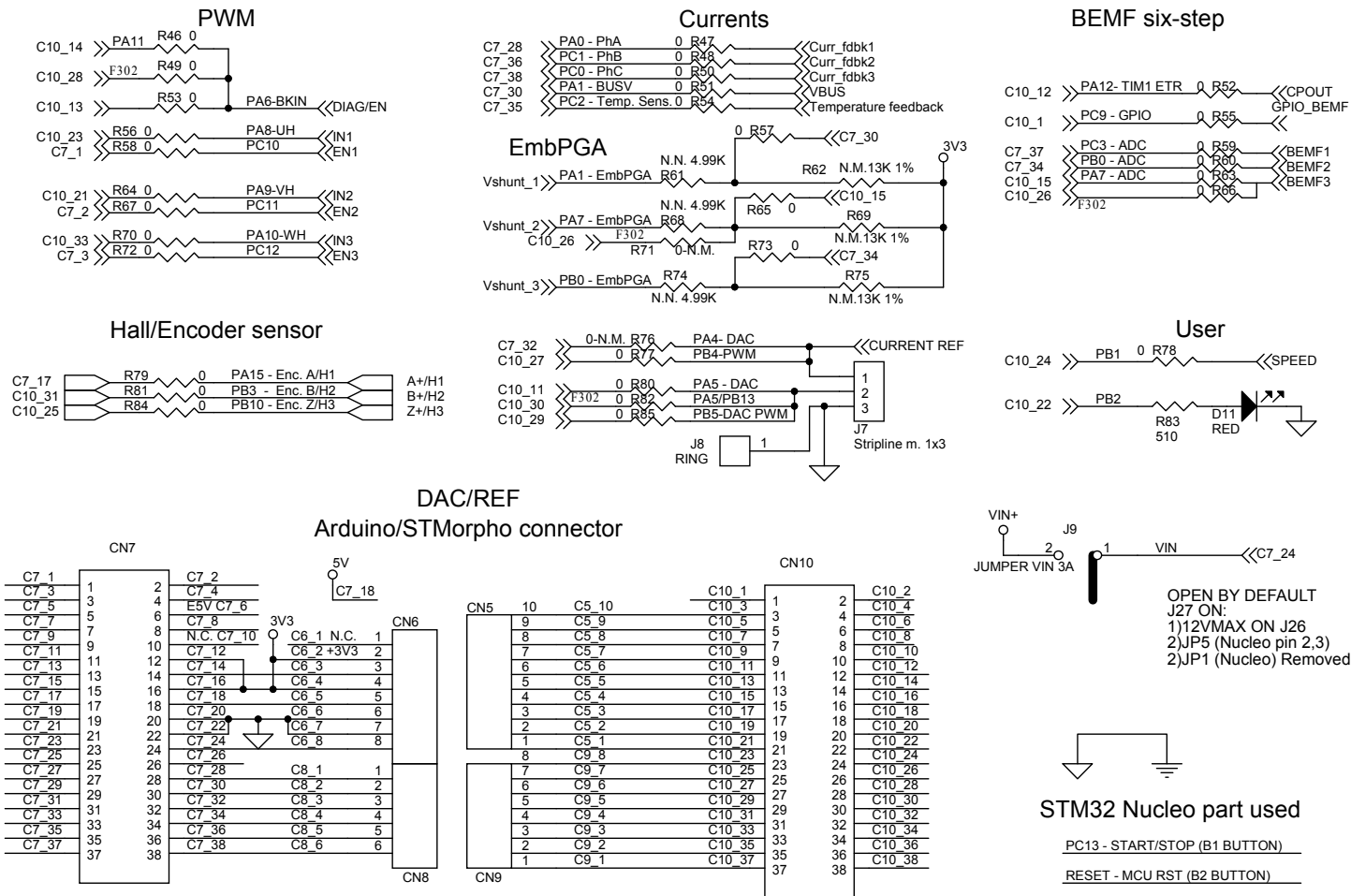
BEMF detection - six step



Single/three shunt configuration



Figure 4. X-NUCLEO-IHM07M1 circuit schematic (4 of 4)



## Revision history

**Table 1. Document revision history**

Date	Version	Changes
27-Aug-2015	1	Initial release.
20-Jul-2021	2	Updated cover page features. Added cover page product summary table.

**IMPORTANT NOTICE – PLEASE READ CAREFULLY**

STMicroelectronics NV and its subsidiaries (“ST”) reserve the right to make changes, corrections, enhancements, modifications, and improvements to ST products and/or to this document at any time without notice. Purchasers should obtain the latest relevant information on ST products before placing orders. ST products are sold pursuant to ST’s terms and conditions of sale in place at the time of order acknowledgement.

Purchasers are solely responsible for the choice, selection, and use of ST products and ST assumes no liability for application assistance or the design of Purchasers’ products.

No license, express or implied, to any intellectual property right is granted by ST herein.

Resale of ST products with provisions different from the information set forth herein shall void any warranty granted by ST for such product.

ST and the ST logo are trademarks of ST. For additional information about ST trademarks, please refer to [www.st.com/trademarks](http://www.st.com/trademarks). All other product or service names are the property of their respective owners.

Information in this document supersedes and replaces information previously supplied in any prior versions of this document.

© 2021 STMicroelectronics – All rights reserved