

# X02 Series



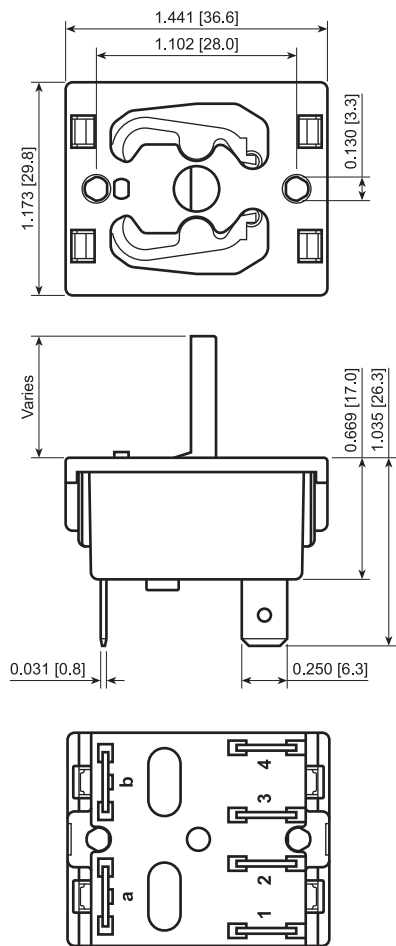
High Temperature



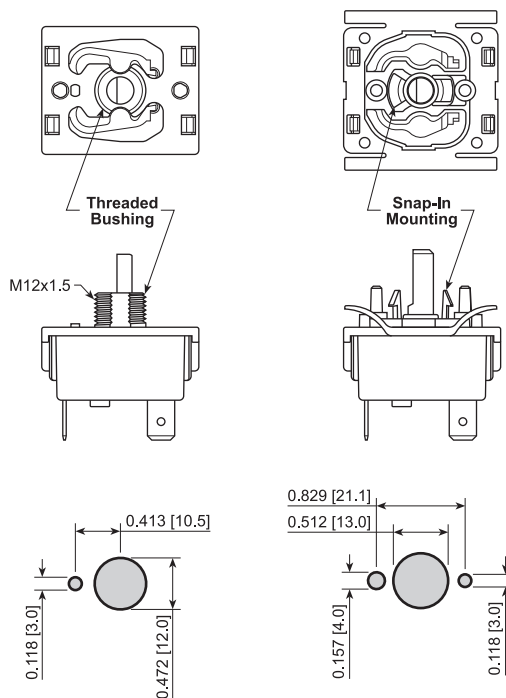
Heavy Duty



Rear Panel Mount



## Mounting Options



## FEATURES:

- Up To 4 Circuits
- Multiple Terminal & Actuator Options
- Housing Made of Rugged Glass Reinforced Nylon

## SPECIFICATIONS:

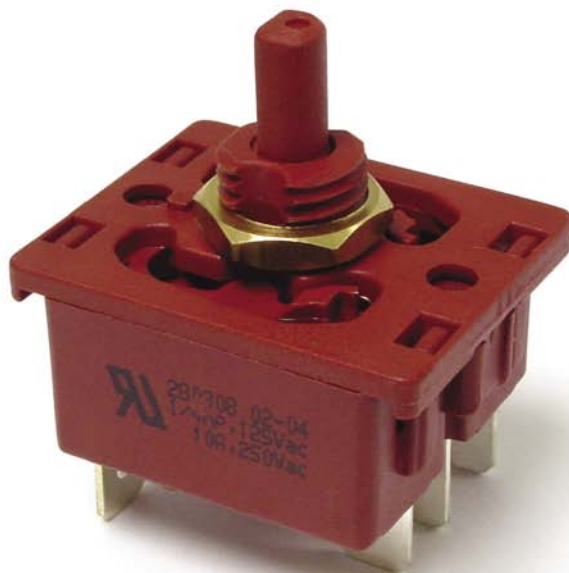
**RATING:** 10A 125VAC [cULus]  
1/4HP 125VAC [cULus]  
10(3)A 250V [ENEC]  
6(1.8)A 400V [ENEC]

**ELECTRICAL LIFE:** 300,000 Cycles  
**TEMPERATURE RATING:** -20°C to 125°C  
**CONTACT RESISTANCE:** 35mΩ Max. at 50VAC  
**INSULATION RESISTANCE:** 100MΩ Min. at 500VAC  
**DIELECTRIC STRENGTH:** 1,500VAC for 1 Minute

## MATERIALS:

**Body:** Polyamide 6/6, UL94 V-2  
**ACTUATOR:** Polyamide 6/6, UL94 V-2  
**CONTACTS:** Silver  
**MOBILE CONTACTS:** Silver  
**TERMINALS:** Silver Plated Brass  
**SPRINGS:** Piano Wire  
Copper  
**HARDWARE:** Brass

SPECIFICATIONS SUBJECT TO CHANGE WITHOUT NOTICE



ROTARY

## EXAMPLE PART NUMBERS:

28-03081 1P3T  
45° Index, 1: AB1, 2: AB2, 3: AB3