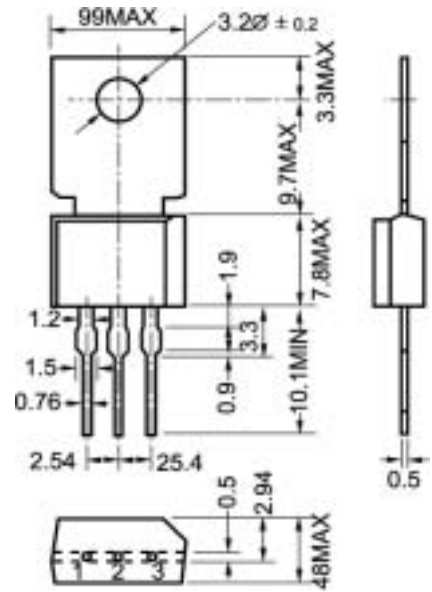
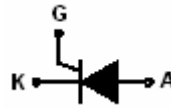


X0402MF



◆ Features

- With TO-202 package
- 1 cathode 2 anode 3 gate
- Highly sensitive triggering levels
- For capacitive discharge ignitions, motor control
In kitchen aids , overvoltage crowbar protection
In low power supplies applications

◆ QUICK REFERENCE DATA

SYMBOL	PARAMETER	MIN	UNIT
V_{DRM}	Repetitive peak off-state voltage	600	V
V_{RRM}	Repetitive peak reverse voltage	600	V
$I_{T(AV)}$	Average on-state current	4	A
I_{TSM}	Non-repetitive peak on-state current	20	A
T_j	Junction temperature	110	
T_{stg}	Storage temperature	-40 ~150	

◆ LIMITING VALUES

ELECTRICAL CHARACTERISTICS ($T_J=25$, unless otherwise specified)

SYMBOL	PARAMETER	CONDITIONS	MIN	MAX	UNIT
V_{DRM}	Repetitive peak off-state voltage	$I_D=0.1mA$	600		V
V_{RRM}	Repetitive peak reverse voltage	$I_D=0.1mA$	600		V
I_{DRM}	Repetitive peak off-state current	$V_{DRM}=600V$		5	μA
I_{RRM}	Repetitive peak reverse current	$V_{RRM}=600V$		5	μA
V_{TM}	On-state voltage	$I_T=4A$		1.7	V
I_H	Holding current	$I_T=0.05A$		5	mA
I_{GT}	Gate trigger current	$V_D=12V; R_L=140$	5	200	μA
V_{GT}	Gate trigger voltage	$V_D=12V; R_L=140$		0.8	V
V_{GD}	Gate non-trigger voltage	$V_{DRM}=400V, R_{GR}=1k ; T_j=110$	0.1		V