
LOW OFFSET HIGH-SIDE CURRENT MONITOR

DESCRIPTION

The ZXCT1021 is a precision high side current sense monitor. Using this type of device eliminates the need to disrupt the ground plane when sensing a load current.

The ZXCT1021 provides a fixed gain of 10 for applications where minimal sense voltage is required.

The very low offset voltage enables a typical accuracy of 3% for sense voltages of only 10mV, giving better tolerances for small sense resistors necessary at higher currents.

The wide input voltage range of 20V down to as low as 2.5V make it suitable for a range of applications. With a minimum operating current of just 25µA, combined with its SOT23-5 package make it suitable for portable battery equipment too.

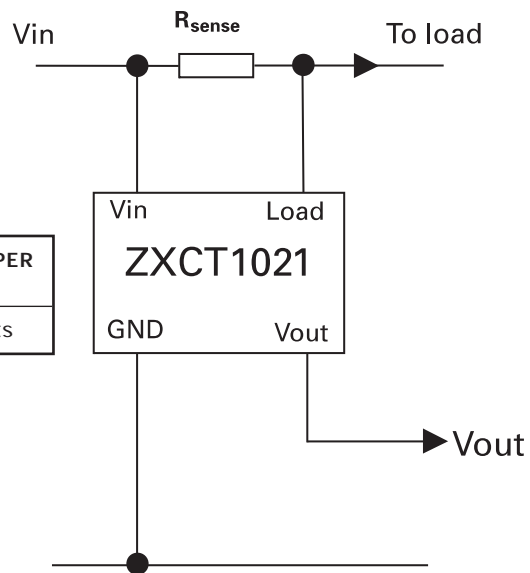
APPLICATIONS

- Battery Chargers
- Smart Battery Packs
- DC Motor control
- Over current monitor
- Power Management
- Level translating
- Programmable current source

FEATURES

- Accurate high-side current sensing
- Output voltage scaling
- 2.5V – 20V supply range
- 25µA quiescent current
- 1% typical accuracy
- SOT23-5 package

TYPICAL CIRCUIT APPLICATION



ORDERING INFORMATION

DEVICE	REEL SIZE	TAPE WIDTH	QUANTITY PER REEL
ZXCT1021E5TA	7"	8mm	3,000 units

PARTMARK

1021

ZXCT1021

Absolute Maximum Ratings

Voltage on any pin	-0.6V to 20V
V_{sense}	-0.6V to $V_{in} + 0.5V$
Operating Temperature	-40 to 85°C
Storage Temperature	-55 to 150°C
Package Power Dissipation (SOT23)	($T_A = 25^\circ C$) 450mW

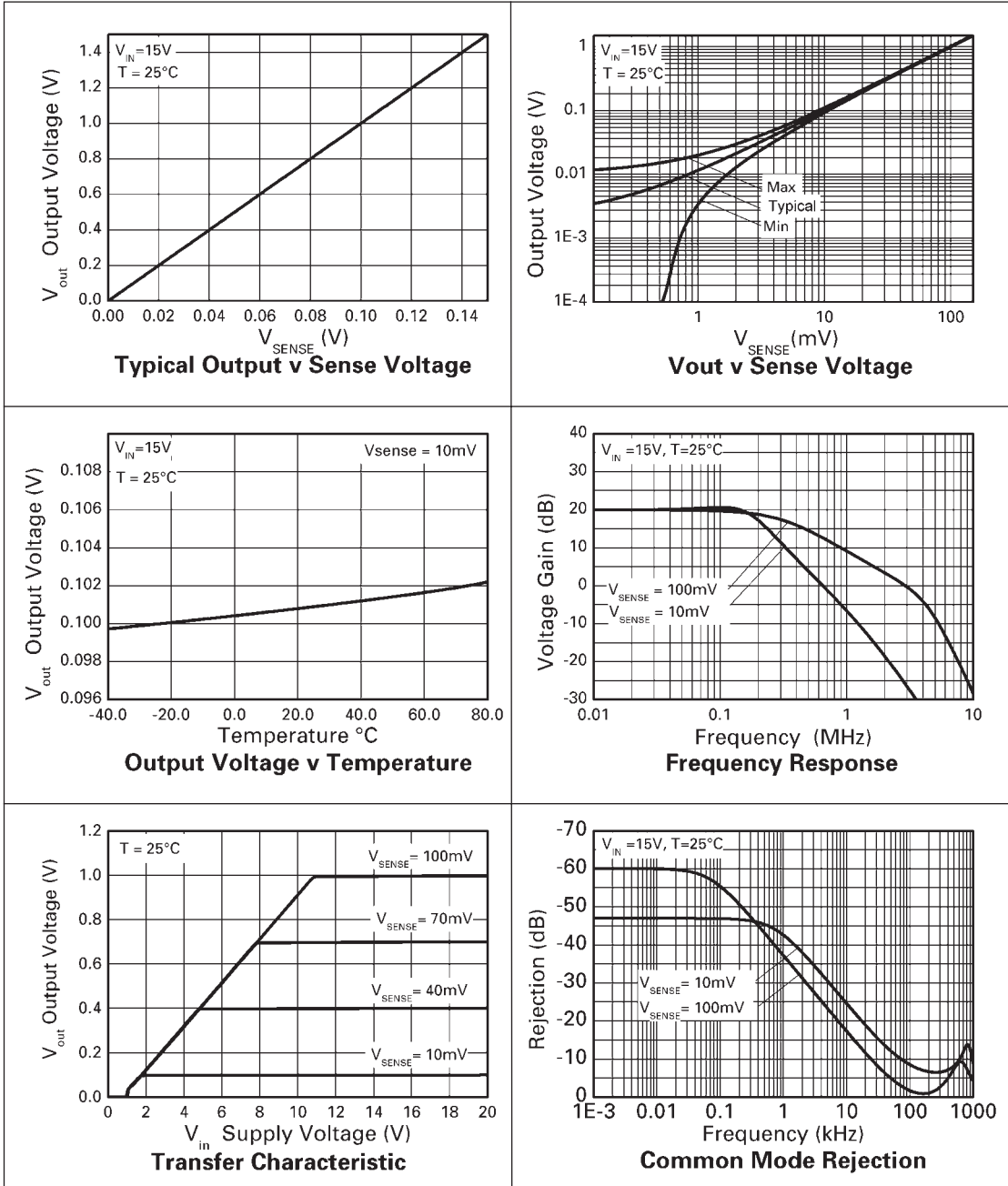
ELECTRICAL CHARACTERISTICS Test Conditions $T_A = 25^\circ C$, $V_{in} = 15V$

SYMBOL	PARAMETER	CONDITIONS	LIMITS			UNIT
			Min	Typ	Max	
V_{in}	V_{CC} range		2.5		20	V
V_{out}	Output voltage (ZXCT1021)	$V_{sense} = 30mV$	291	300	309	mV
		$V_{sense} = 100mV$	0.98	1.00	1.02	V
		$V_{sense} = 150mV$	1.47	1.50	1.53	V
R_{out}	Output resistance		10	15	20	$K\Omega$
T_c	Output temperature coefficient			50	300	ppm
I_q	Ground pin current	$V_{sense} = 0V$		25	35	μA
$V_{sense}^{(2)}$	Sense voltage		0		1.5	V
I_{sense}	Load pin input current				100	nA
Acc	Accuracy	$V_{sense} = 100mV$	-2		2	%
Gain	V_{out} / V_{sense}	$V_{sense} = 100mV$	98	100	102	mV
BW	Bandwidth	$V_{sense} = 10mV$		300		kHz
		$V_{sense} = 100mV$		2		MHz

NOTES

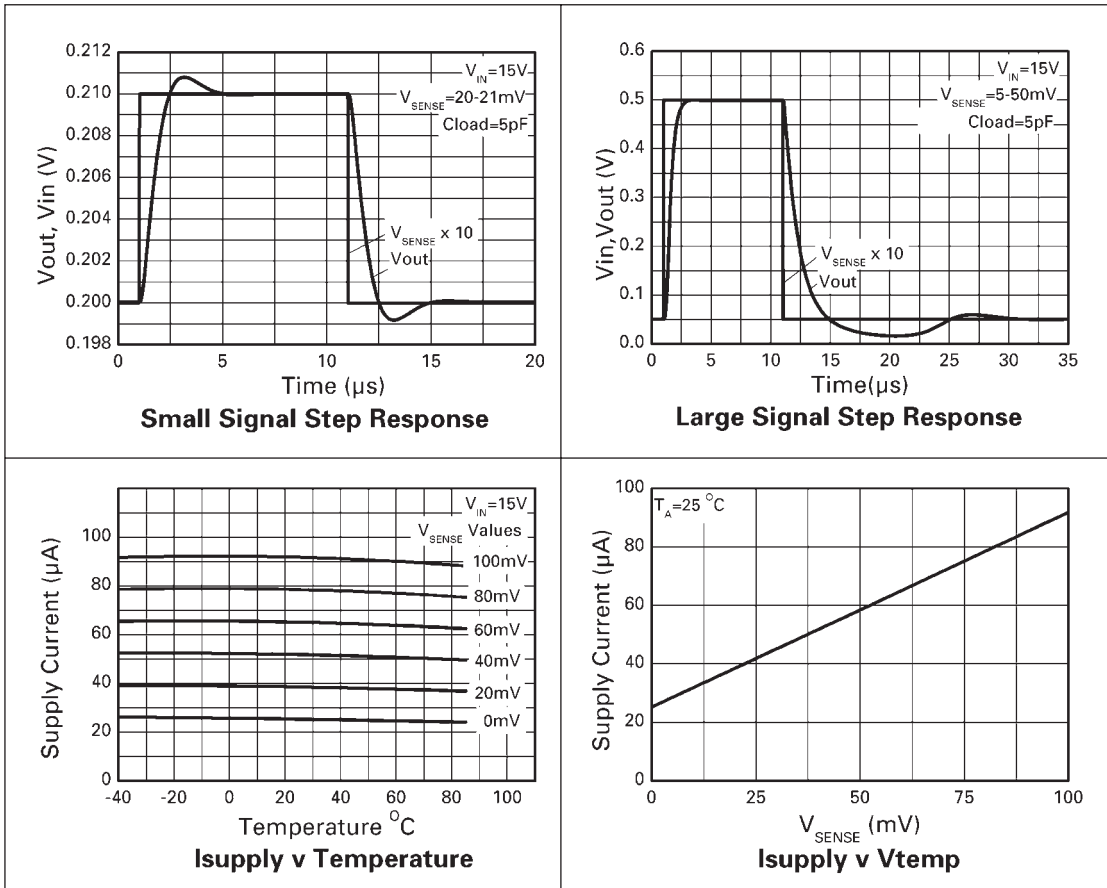
(2) $V_{sense} = V_{in} - V_{load}$

TYPICAL CHARACTERISTICS

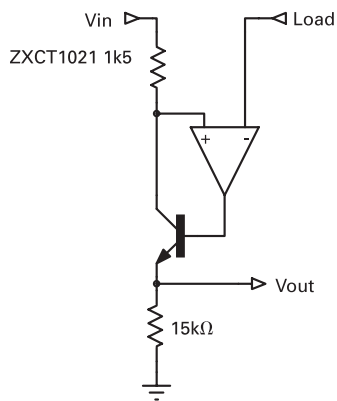


ZXCT1021

TYPICAL CHARACTERISTICS



BLOCK DIAGRAM



ZXCT1021

Application Information

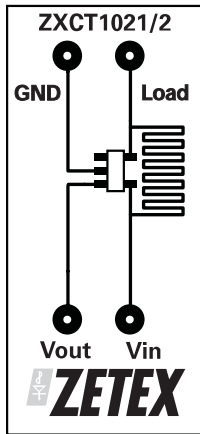
The devices have fixed dc voltage gains of 10, no external scaling resistors are required for the output. Output voltage is simply defined as:

$$V_{out} = 10 \times V_{sense} \text{ (V)}$$

Where $V_{sense} = V_{in} - V_{Load}$

PCB trace shunt resistor for low cost solution

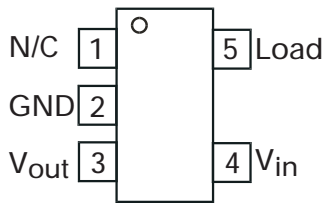
The figure below shows a PCB layout suggestion for a low cost solution where a PCB resistive trace in replacement for a conventional shunt resistor, can be used. The resistor section is 25mm x 0.25mm giving approximately 150mΩ using 1 oz copper. Smaller resistances can be used if required.



Total circuit solution: 1 component. Shows area of 150mΩ sense resistor compared to SOT23 package.

Practical tolerance of the PCB resistor will be around 5% depending on manufacturing methods.

PINOUT

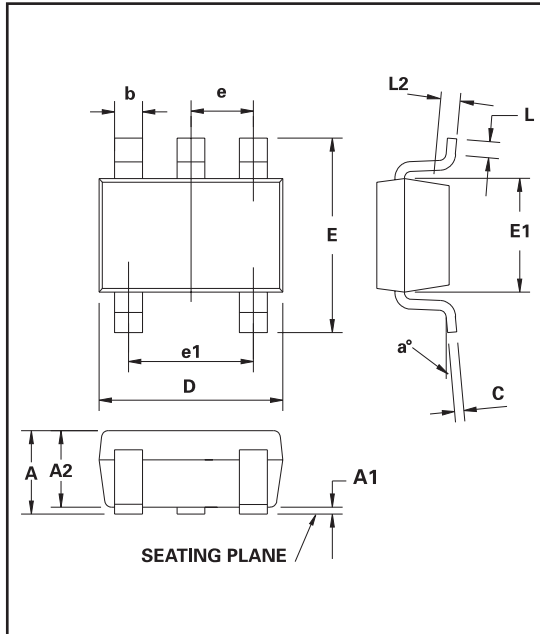


Top view

PIN NAME	PIN FUNCTION
N/C	Not internally connected
GND	Ground
V_{out}	Voltage output referenced to GND. Intended to drive high impedance loads
Load	High impedance negative sense voltage input
V_{in}	Supply and positive sense voltage input

ZXCT1021

PACKAGE DIMENSIONS SOT23-5



PACKAGE DIMENSIONS

DIM	Millimetres		Inches	
	MIN	MAX	MIN	MAX
A	0.90	1.45	0.035	0.057
A1	0.00	0.15	0.00	0.006
A2	0.90	1.3	0.035	0.051
b	0.35	0.50	0.014	0.020
C	0.09	0.20	0.0035	0.008
D	2.80	3.00	0.110	0.118
E	2.60	3.00	0.102	0.118
E1	1.50	1.75	0.059	0.069
e	0.95 REF		0.037 REF	
e1	1.90 REF		0.075 REF	
L	0.10	0.60	0.004	0.024

© Zetex plc 2004

Europe	Americas	Asia Pacific	Corporate Headquarters
Zetex GmbH Streitfeldstraße 19 D-81673 München Germany	Zetex Inc 700 Veterans Memorial Hwy Hauppauge, NY 11788 USA	Zetex (Asia) Ltd 3701-04 Metroplaza Tower 1 Hing Fong Road, Kwai Fong Hong Kong	Zetex plc Fields New Road, Chadderton Oldham, OL9 8NP United Kingdom
Telefon: (49) 89 45 49 49 0 Fax: (49) 89 45 49 49 49 europe.sales@zetex.com	Telephone: (1) 631 360 2222 Fax: (1) 631 360 8222 usa.sales@zetex.com	Telephone: (852) 26100 611 Fax: (852) 24250 494 asia.sales@zetex.com	Telephone (44) 161 622 4444 Fax: (44) 161 622 4446 hq@zetex.com

These offices are supported by agents and distributors in major countries world-wide.

This publication is issued to provide outline information only which (unless agreed by the Company in writing) may not be used, applied or reproduced for any purpose or form part of any order or contract or be regarded as a representation relating to the products or services concerned. The Company reserves the right to alter without notice the specification, design, price or conditions of supply of any product or service.

For the latest product information, log on to www.zetex.com



ISSUE 2 - MARCH 2004