

ZXCT1041

Bidirectional precision high-side current monitor

Description

The ZXCT1041 is a bidirectional precision high-side current sense monitor. The output voltage is proportional to the differential input voltage. Direction of current flow is indicated by the Flag pin.

The ZXCT1041 provides a fixed gain of 10 for applications where minimal sense voltage is required.

The very low offset voltage enables a typical accuracy of 2% for sense voltages of only 10mV, giving better tolerances for small sense resistors necessary at higher currents.

The wide input voltage range of 18V down to as low as 2.7V make it suitable for a range of applications.

A minimum operating current of just 40µA, combined with a SOT23-5 package makes this part suitable for portable battery equipment.

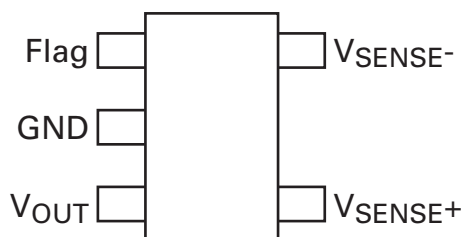
Features

- Bidirectional high side measurement
- Output voltage scaling x10
- 2.7V to 20V high side voltage
- 35µA quiescent current
- 1% typical accuracy
- SOT23-5 package

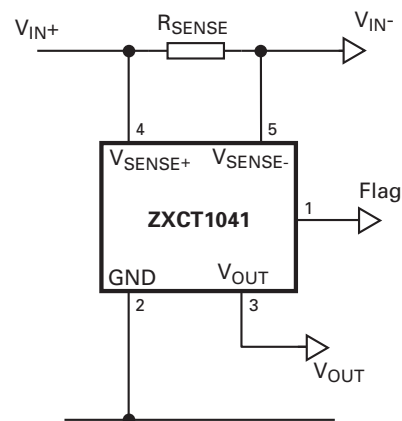
Applications

- Battery management
- Over current monitor
- Battery gas gauging
- Motor control

Pin connections



Typical application circuit



Ordering information

Order code	Package	Partmark	Reel size (inches)	Tape width (mm)	Quantity per reel
ZXCT1041E5TA	SOT23-5	1041	7	8	3000

Absolute maximum ratings

Voltage on V_{SENSE-} and V_{SENSE+}	-0.6 to 20V
Voltage on all other pins	-0.6V to (V_{SENSE+}/V_{SENSE-}) +0.6V
$V_{sense} [(V_{SENSE+}) - (V_{SENSE-})]$	+/-6V
Operating temperature, T_A	-40 to 125°C
Storage temperature	-55 to 150°C
Maximum junction temperature, T_J	150°C
Package power dissipation	300mW at $T_A = 25^\circ\text{C}$ (De-rate to zero at 150°C)

Operation above the absolute maximum rating may cause device failure. Operation at the absolute maximum ratings, for extended periods, may reduce device reliability.

Recommended operating conditions

Parameter		Min.	Max.	Units
$V_{SENSE\pm}$	Common-mode sense input range	2.7	20	V
Flag	Current direction flag output	0	$V_{SENSE\pm}$	V
V_{SENSE}	Differential sense input voltage range	0	± 0.8	V
V_{OUT}	Output voltage range	0	$V_{SENSE\pm} - 1.5$	V
T_A	Ambient temperature range	-40	125	°C

Pin function table

Pin	Name	Description
1	Flag	This is the current direction pin. It is open collector and allows the logic high level to be set independent of V_{SENSE+} voltage. Low indicates V_{SENSE+} is greater than V_{SENSE-} .
2	GND	Ground pin
3	OUT	Output voltage pin
4	V_{SENSE+}	This is the positive input of the current monitor. It also acts as the supply voltage pin providing current for internal circuitry. The current through this pin varies with differential sense voltage
5	V_{SENSE-}	This is the negative input of the current monitor. The current through this pin varies with differential sense voltage

Electrical characteristics

Test conditions $T_A = 25^\circ\text{C}$, $V_{\text{SENSE}^+} = 10\text{V}$, $V_{\text{SENSE}} = 100\text{mV}$

Symbol	Parameter	Conditions	Min.	Typ.	Max.	Units
I_Q	Ground pin current		15	35	50	μA
I_{SENSE^+}	V_{SENSE^+} input current	$V_{\text{SENSE}} = 0\text{V}$	10	17	24	μA
I_{SENSE^-}	V_{SENSE^-} input current	$V_{\text{SENSE}} = 0\text{V}$	10	17	24	μA
V_{OUT}	Output voltage [flag high]	$V_{\text{SENSE}} = +150\text{mV}$	1.55	1.5	1.45	V
		$V_{\text{SENSE}} = +100\text{mV}$	1.02	1	0.98	V
		$V_{\text{SENSE}} = +30\text{mV}$	309	300	291	mV
	[flag low]	$V_{\text{SENSE}} = 0\text{V}$	0		15	mV
		$V_{\text{SENSE}} = -30\text{mV}$	285	300	315	mV
		$V_{\text{SENSE}} = -100\text{mV}$	0.95	1	1.05	V
		$V_{\text{SENSE}} = -150\text{mV}$	1.42	1.50	1.58	V
$V_{\text{OUT TC}}$	V_{OUT} variation with temperature	$V_{\text{SENSE}} = \pm 100\text{mV}$		30		ppm/ $^\circ\text{C}$
Gain	$V_{\text{OUT}}/V_{\text{SENSE}}$			10		
Accuracy	Total output error (Gain + offset)	$V_{\text{SENSE}} = 100\text{mV}$	-2		2	%
Accuracy	Total output error (Gain + offset)	$V_{\text{SENSE}} = -100\text{mV}$	-5		5	%
BW	Bandwidth	$V_{\text{SENSE}(\text{DC})} = 100\text{mV}$ $V_{\text{SENSE}(\text{AC})} = 63\text{mV}_{\text{PP}}$		300		kHz
CMRR	V_{SENSE^+} common mode rejection ratio	$V_{\text{IN}} = 2.7$ to 20V	TBD	60		dB
Flag TP	Flag trip point	Referred to V_{SENSE}	-2.5		+2.5	mV
V_{FL}	Flag low output voltage	$I_{\text{SINK}} = 100\mu\text{A}$		60	200	mV
I_{FH}	Flag high leakage current	$V_{\text{OH}} = 5\text{V}$			1	μA

NOTES:

(a) - $V_{\text{SENSE}} = "V_{\text{SENSE}^+}" - "V_{\text{SENSE}^-}"$

(b) Temperature dependent measurements are extracted from characterisation and simulation results.

Typical characteristics

$V_{SENSE+} = 10V$, $V_{SENSE} = 100mV$, $T_A = 25^\circ C$ unless otherwise stated

Y-axis	X-axis	Conditions
V_{OUT}	V_{SENSE}	$T_A = -40^\circ C, 0^\circ C, 25^\circ C, 85^\circ C, 125^\circ C$. $V_{SENSE+} = 10V$ and $3.6V$
V_{OUT}	T_A	$V_{SENSE} = 10mV, 30mV, 100mV$. $V_{SENSE+} = 10V$ and $3.6V$
V_{OUT}	V_{SENSE+}	$T_A = -40^\circ C, 0^\circ C, 25^\circ C, 85^\circ C, 125^\circ C$. $V_{SENSE+} = 100mV$ and $-100mV$. V_{SENSE+} swept from 0 to 20V
V_{OUT}	V_{SENSE+}	$V_{SENSE+} = 100mV$ and $-100mV$. $T_A = 0^\circ C, 25^\circ C$ and $85^\circ C$ V_{SENSE+} zoomed in 2.6V to 4.2V
Error	+ve V_{SENSE}	$T_A = -40^\circ C, 0^\circ C, 25^\circ C, 85^\circ C, 125^\circ C$
Error	-ve V_{SENSE}	$T_A = -40^\circ C, 0^\circ C, 25^\circ C, 85^\circ C, 125^\circ C$
V_{OUT}	V_{SENSE+}	$V_{SENSE} = \pm 10mV, \pm 0.1, \pm 0.2, \pm 0.4, \pm 0.5V$. $V_{SENSE+} = 10V$ and $3.6V$
I_{SENSE+}	V_{SENSE}	$T_A = -40^\circ C, 25^\circ C, 85^\circ C, 125^\circ C$. $V_{SENSE+} = 10V$ and $3.6V$
I_{SENSE+}	V_{SENSE+}	$T_A = -40^\circ C, 25^\circ C, 85^\circ C, 125^\circ C$. $V_{SENSE} = 0$
I_{SENSE-}	V_{SENSE}	$T_A = -40^\circ C, 25^\circ C, 85^\circ C, 125^\circ C$. $V_{SENSE+} = 10V$ and $3.6V$
I_{SENSE-}	V_{SENSE+}	$T_A = -40^\circ C, 25^\circ C, 85^\circ C, 125^\circ C$. $V_{SENSE} = 0$
Diff gain	V_{SENSE}	$V_{SENSE+} = 10V$ and $3.6V$. $T_A = -40^\circ C, 25^\circ C, 85^\circ C, 125^\circ C$
V_{OUT}	I_{OUT}	$T_A = -40^\circ C, 0^\circ C, 25^\circ C, 85^\circ C, 125^\circ C$. $V_{SENSE+} = 10V$ and $3.6V$. $V_{SENSE} = \pm 100mV$
Flag	V_{SENSE}	$T_A = -40^\circ C, 25^\circ C, 85^\circ C, 125^\circ C$. $V_{SENSE+} = 10V$ and $3.6V$ V_{SENSE} swept over $\pm 5mV$
AC and transients		
Small signal bandwidth	Frequency	$T_A = -40^\circ C, 25^\circ C, 85^\circ C, 125^\circ C$. $V_{SENSE+} = 10V$ and $3.6V$ $V_{SENSE(DC)} = 10mV$ and $100mV$. $V_{SENSE(AC)} = 10mV_{PP}$
CMRR	Frequency	$T_A = -40^\circ C, 25^\circ C, 85^\circ C, 125^\circ C$. $V_{SENSE+(DC)} = 10V$ and $3.6V$. $V_{SENSE+(AC)} = 10mV_{PP}$. $V_{SENSE(DC)} = 10mV$ and $100mV$
Large signal	time	$V_{SENSE} = 0$ to $200mV$ to 0
		$V_{SENSE} = 0$ to $-200mV$ to 0
		$V_{SENSE} = 200mV$ to $-200mV$ to $200mV$
Small signal	Time	$V_{SENSE} = 0$ to $20mV$ to 0
		$V_{SENSE} = 0$ to $-20mV$ to 0
		$V_{SENSE} = 20mV$ to $-20mV$ to $20mV$
Flag	Time	$V_{SENSE} = 200mV$ to $-200mV$ to $200mV$
		$V_{SENSE} = 20mV$ to $-20mV$ to $20mV$

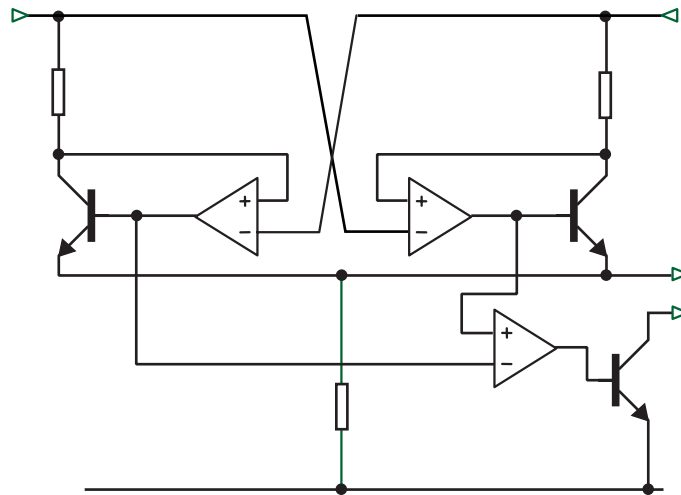
Application information

The ZXCT1041 uses two current monitors in anti-parallel to provide bidirectional current measurement. The integrated resistors while having a broad actual value variance provide very good matching to one another; this provides very tight gain matching from forward current measurement to reverse current management and removes the need to trim the resistor values.

The internal transconductance setting resistors have a nominal value of $1.5\text{k}\Omega$ thereby setting the internal transconductance to 1mA/V of V_{SENSE} . The outputs of both current monitors (current) are summed into an internal common gain-setting resistor of $15\text{k}\Omega$. This sets the overall gain to 10 which has a very small variance due to the very good matching of internal transistors.

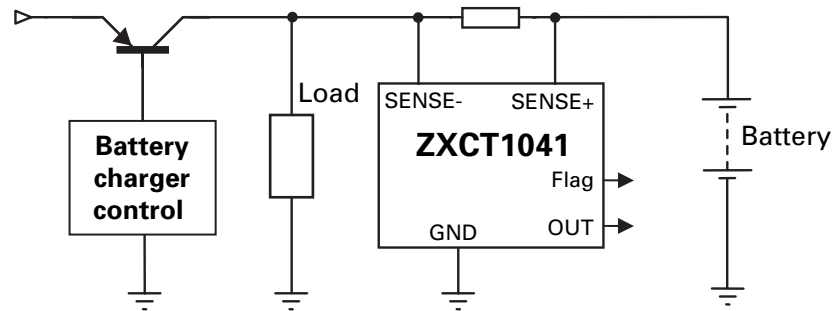
To improve accuracy the offset of amplifier 1 is trimmed.

The direction of measured current flow is determined by comparing the voltages applied to the bases of transconductance transistors (Q1 and Q2). For maximum versatility the flag output uses an open collector; this allows the ZXCT1041 to monitor rails at a much higher potential than what the flag output is interfacing to.



A common application for micro-power current monitors is measuring the discharge current of a rechargeable lithium ion/polymer battery. The ZXCT1041 enables measuring both the charge and discharge current into the battery and with its wide operating voltage of 2.5 to 20V enables it to measure the currents in to/ out of up to 4 cells connected in series.

ZXCT1041

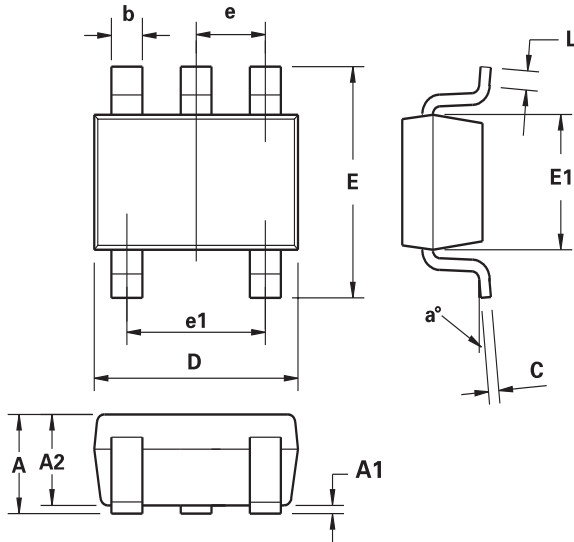


When choosing appropriate values for R_{SENSE} a compromise must be reached between in-line signal loss (including potential power dissipation effects) and small signal accuracy.

Higher values for R_{SENSE} gives better accuracy at low load currents by reducing the inaccuracies due to internal offsets. For best operation the ZXCT1041 has been designed to operate with V_{SENSE} of the order of 50mV to 150mV.

ZXCT1041

Packaging details - SOT23-5



DIM	Millimeters		Inches	
	Min.	Max.	Min.	Max.
A	0.90	1.45	0.0354	0.0570
A1	0.00	0.15	0.00	0.0059
A2	0.90	1.30	0.0354	0.0511
b	0.20	0.50	0.0078	0.0196
C	0.09	0.26	0.0035	0.0102
D	2.70	3.10	0.1062	0.1220
E	2.20	3.20	0.0866	0.1181
E1	1.30	1.80	0.0511	0.0708
e	0.95 REF		0.0374 REF	
e1	1.90 REF		0.0748 REF	
L	0.10	0.60	0.0039	0.0236
a°	0°	30°	0°	30°

Note: Controlling dimensions are in millimeters. Approximate dimensions are provided in inches

Definitions

Product change

Zetex Semiconductors reserves the right to alter, without notice, specifications, design, price or conditions of supply of any product or service. Customers are solely responsible for obtaining the latest relevant information before placing orders.

Applications disclaimer

The circuits in this design/application note are offered as design ideas. It is the responsibility of the user to ensure that the circuit is fit for the user's application and meets with the user's requirements. No representation or warranty is given and no liability whatsoever is assumed by Zetex with respect to the accuracy or use of such information, or infringement of patents or other intellectual property rights arising from such use or otherwise. Zetex does not assume any legal responsibility or will not be held legally liable (whether in contract, tort (including negligence), breach of statutory duty, restriction or otherwise) for any damages, loss of profit, business, contract, opportunity or consequential loss in the use of these circuit applications, under any circumstances.

Life support

Zetex products are specifically not authorized for use as critical components in life support devices or systems without the express written approval of the Chief Executive Officer of Zetex Semiconductors plc. As used herein:

A. Life support devices or systems are devices or systems which:

1. are intended to implant into the body

or

2. support or sustain life and whose failure to perform when properly used in accordance with instructions for use provided in the labelling can be reasonably expected to result in significant injury to the user.

B. A critical component is any component in a life support device or system whose failure to perform can be reasonably expected to cause the failure of the life support device or to affect its safety or effectiveness.

Reproduction

The product specifications contained in this publication are issued to provide outline information only which (unless agreed by the company in writing) may not be used, applied or reproduced for any purpose or form part of any order or contract or be regarded as a representation relating to the products or services concerned.

Terms and Conditions

All products are sold subjects to Zetex' terms and conditions of sale, and this disclaimer (save in the event of a conflict between the two when the terms of the contract shall prevail) according to region, supplied at the time of order acknowledgement.

For the latest information on technology, delivery terms and conditions and prices, please contact your nearest Zetex sales office.

Quality of product

Zetex is an ISO 9001 and TS16949 certified semiconductor manufacturer.

To ensure quality of service and products we strongly advise the purchase of parts directly from Zetex Semiconductors or one of our regionally authorized distributors. For a complete listing of authorized distributors please visit: www.zetex.com/salesnetwork

Zetex Semiconductors does not warrant or accept any liability whatsoever in respect of any parts purchased through unauthorized sales channels.

ESD (Electrostatic discharge)

Semiconductor devices are susceptible to damage by ESD. Suitable precautions should be taken when handling and transporting devices. The possible damage to devices depends on the circumstances of the handling and transporting, and the nature of the device. The extent of damage can vary from immediate functional or parametric malfunction to degradation of function or performance in use over time. Devices suspected of being affected should be replaced.

Green compliance

Zetex Semiconductors is committed to environmental excellence in all aspects of its operations which includes meeting or exceeding regulatory requirements with respect to the use of hazardous substances. Numerous successful programs have been implemented to reduce the use of hazardous substances and/or emissions.

All Zetex components are compliant with the RoHS directive, and through this it is supporting its customers in their compliance with WEEE and ELV directives.

Product status key:

"Preview"	Future device intended for production at some point. Samples may be available
"Active"	Product status recommended for new designs
"Last time buy (LTB)"	Device will be discontinued and last time buy period and delivery is in effect
"Not recommended for new designs"	Device is still in production to support existing designs and production
"Obsolete"	Production has been discontinued

Datasheet status key:

"Draft version"	This term denotes a very early datasheet version and contains highly provisional information, which may change in any manner without notice.
"Provisional version"	This term denotes a pre-release datasheet. It provides a clear indication of anticipated performance. However, changes to the test conditions and specifications may occur, at any time and without notice.
"Issue"	This term denotes an issued datasheet containing finalized specifications. However, changes to specifications may occur, at any time and without notice.

Zetex sales offices

Europe	Americas	Asia Pacific	Corporate Headquarters
Zetex GmbH Kustermann-park Balanstraße 59 D-81541 München Germany Telephone: (49) 89 45 49 49 0 Fax: (49) 89 45 49 49 49 europe.sales@zetex.com	Zetex Inc 700 Veterans Memorial Highway Hauppauge, NY 11788 USA Telephone: (1) 631 360 2222 Fax: (1) 631 360 8222 usa.sales@zetex.com	Zetex (Asia Ltd) 3701-04 Metroplaza Tower 1 Hing Fong Road, Kwai Fong Hong Kong Telephone: (852) 26100 611 Fax: (852) 24250 494 asia.sales@zetex.com	Zetex Semiconductors plc Zetex Technology Park, Chadderton Oldham, OL9 9LL United Kingdom Telephone: (44) 161 622 4444 Fax: (44) 161 622 4446 hq@zetex.com

© 2006 Published by Zetex Semiconductors plc