

CMPDM7002AHC

60V, 1.0A High Current N-Channel MOSFET in SOT-23 package



Central Semiconductor's CMPDM7002AHC is an N-Channel Enhancement-mode MOSFET that optimizes high current capability and energy efficiency in the industry standard SOT-23 package. The combination of high current capability, low gate charge and low on-resistance makes this device the ideal selection for energy sensitive applications requiring higher drain currents.

Features:

- ESD protection up to 2kV
- 350 mW power dissipation
- Low $r_{DS(ON)} = 0.15\Omega$ TYP @ $V_{GS}=10V$

Applications:

- Load/Power switches
- Power supply converter circuits
- LED backlighting
- Motor drives

Benefits:

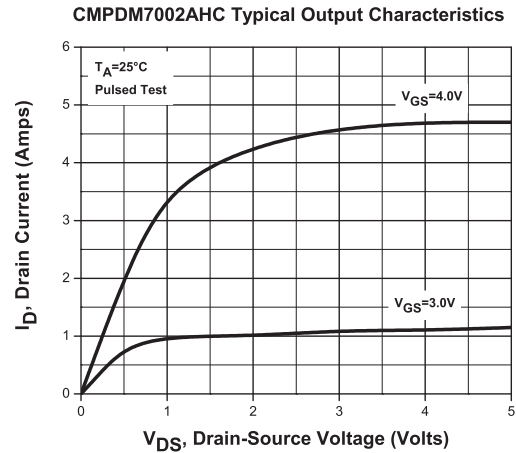
- High current capability
- Energy efficiency
- Industry standard SOT-23 package
- Integrated transient protection



New
SMD
SELECTION
GUIDE

Order your selection guide today.
Visit: web.centralsemi.com/search/sample.php

Typical Electrical Characteristics



Samples and Literature



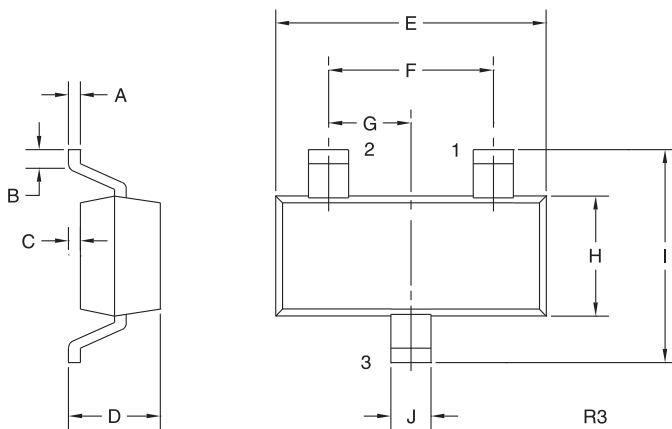
To order samples of this device visit:
www.centralsemi.com/info/CMPDM7002AHC

Electrical Characteristics ($T_A = 25^\circ\text{C}$ unless otherwise noted)										Thermal Characteristics			
BV_{DSS} (V)	I_D (A)	$V_{GS(th)}$ (V)		$r_{DS(ON)}$ (Ω)		@ V_{GS}	@ I_D	$Q_g(tot)$ (nC)	C_{iss} (pF)	C_{rss} (pF)	P_D (mW)	T_J, T_{stg} ($^\circ\text{C}$)	Θ_{JA} ($^\circ\text{C}/\text{W}$)
MIN	MAX	MIN	MAX	TYP	MAX	(V)	(mA)	TYP	MAX	MAX		MAX	MAX
60	1.0	1.2	2.3	0.15 0.20	0.22 0.30	10 5.0	500 500	2.3	240	25	350	-65 to +150	357

CMPDM7002AHC

60V, 1.0A High Current N-Channel MOSFET in SOT-23 package

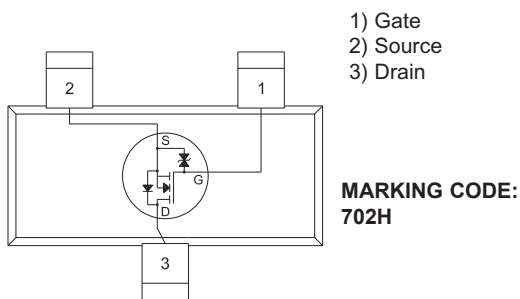
Mechanical Drawing - SOT-23



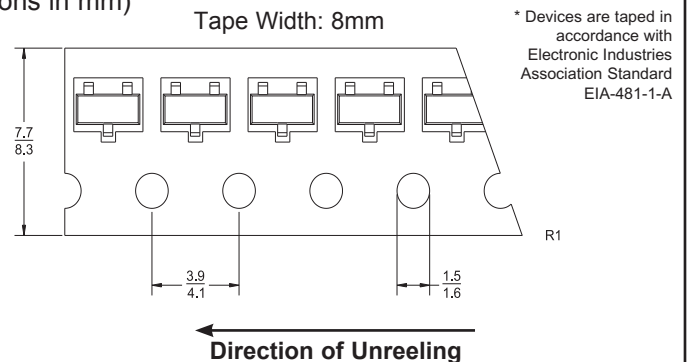
SYMBOL	DIMENSIONS			
	INCHES		MILLIMETERS	
	MIN	MAX	MIN	MAX
A	0.003	0.007	0.08	0.18
B	0.006	-	0.15	-
C	-	0.005	-	0.13
D	0.035	0.043	0.89	1.09
E	0.110	0.120	2.80	3.05
F	0.075		1.90	
G	0.037		0.95	
H	0.047	0.055	1.19	1.40
I	0.083	0.098	2.10	2.49
J	0.014	0.020	0.35	0.50

SOT-23 (REV: R3)

Lead Code



Tape Dimensions and Orientation (Dimensions in mm)



Packaging Base

7" Reel = 3,000 pcs.
13" Reel = 10,000 pcs

Reel Packing Information

Reel Size	Reels per Box (Maximum)	Parts per Box (Maximum)	Box Dimensions		Shipping Weight (Max.)	
			INCH	CM	LB	KG
7"	9	27,000	9x9x5	23x23x13	3	2
	18	54,000	9x9x9	23x23x23	6	3
	40	120,000	21x9x9	53x23x23	13	6
	108	324,000	27x9x17	69x23x43	34	16
13"	6	60,000	15x4x15	38x10x38	6	3
	14	140,000	15x15x9	38x38x23	15	7
	26	260,000	15x15x18	38x38x46	28	13

Sample devices available upon request. To order samples of this device visit: www.centrasemi.com/info/CMPDM7002AHC



Innovative Discrete Semiconductors

For further information contact:
Sales at Central Semiconductor Corp.
(631) 435-1110 or visit our website at:
www.centrasemi.com

145 Adams Avenue • Hauppauge • New York • 11788 • USA • Tel:(631) 435-1110 • Fax:(631) 435-1824