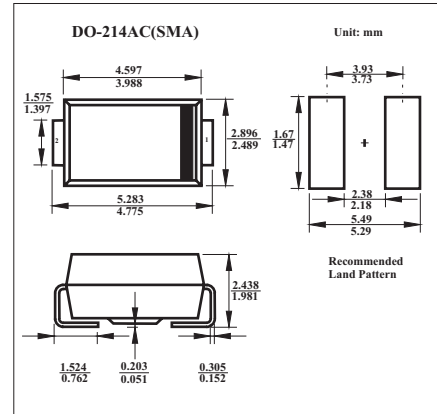


# 1N4001-1N4007

## ■ Features

- Diffused Junction
- High Current Capability and Low Forward Voltage Drop
- Surge Overload Rating to 30A Peak
- Low Reverse Leakage Current



## ■ Absolute Maximum Ratings Ta = 25°C

Parameter	Symbol	1N4001	1N4002	1N4003	1N4004	1N4005	1N4006	1N4007	Unit
Peak Repetitive Reverse Voltage	VRRM	50	100	200	400	600	800	1000	V
Working Peak Reverse Voltage	VRMWM								
DC Blocking Voltage	VR								
RMS Reverse Voltage	VR(RMS)	35	70	140	280	420	560	700	V
Average Rectified Output Current	Io	1.0							A
Non-Repetitive Peak Forward Surge Current, 8.3ms Single Half Sine-wave Superimposed on Rated Load (JEDEC method)	IFSM	30							A
DC Blocking Voltage TA = 25°C	IRMS	5							μ A
TA = 100°C		50							
Forward Voltage @ IF = 1.0A	VFM	1.0							V
Typical Junction Capacitance	CJ	15				8			pF
Typical Thermal Resistance Junction to Ambient	RθJA	100							K/W
Maximum DC Blocking Voltage Temperature	TA	+150							°C
Operating and Storage Temperature Range	Tj, TSTG	-65 to 175							°C

## ■ Marking

Part NO.	1N4001	1N4002	1N4003	1N4004	1N4005	1N4006	1N4007
Marking	M1	M2	M3	M4	M5	M6	M7