

Low Profile SM Resistance Weld Crystal

The HC49LD series is a miniature AT or BT cut strip resonator crystal housed in low profile for surface mounting. The parts present a proven metal package technology with a precision molded base and universal contact configuration. The series comply with Directive 2002/95/EC (RoHS Compliant).

HC49LD

RoHS Compliant

Specifications:

Frequency Range: 3.2 MHz ~ 40 MHz Fundamental
24 MHz ~ 70 MHz Overtone

Operating Temperature: 0°C ~ +50°C -A
-10°C ~ +60°C -B
-20°C ~ +70°C -C
-40°C ~ +85°C -L

Storage Temperature: -55°C ~ +125°C

Frequency Tolerance: ± 50 ppm -50
(at 25°C) ± 30 ppm -30
± 20 ppm -20
± 10 ppm -10

Frequency Stability: ± 50 ppm -50
(over temperature range) ± 30 ppm -30
± 20 ppm -20
± 10 ppm -10

Circuit Condition: 10 pF ~ 32 pF or series

Equivalent Series Resistance: Maximum resistance corresponds to frequency. Please see ESR table.

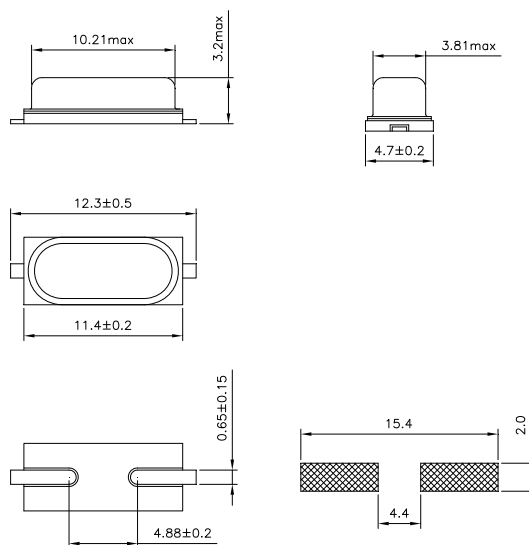
Drive Level: 1.0 mW max

Shunt Capacitance: 7 pF max

Aging: ± 5 ppm max per year

Optional Features: Fundamental -F
3rd, 5th, 7th O.T. -3,5,7
Tape & Reel -TR

HC49LD



All dimensions are in mm

Ordering Information

Product name + CL + Operating Temperature Range + Tolerance + Stability + Other Code + Frequency.

i.e. HC49LD-20-C-30-30-F-24.000MHz

Note:

- Other frequencies, tolerances, stabilities, and operating temperature ranges available. Consult VTC Support for specific requirements.
- Not all combinations of the above tolerances, stabilities, and temperature ranges are available. Consult VTC Support if your requirement is not standard.
- All specifications subject to change without notice.