

CMR2S-02
 CMR2S-04
 CMR2S-06

**SURFACE MOUNT SILICON
 SUPER FAST
 RECOVERY RECTIFIERS
 2.0 AMP, 200 THRU 600 VOLT**



SMB CASE



www.centralemi.com

DESCRIPTION:

The CENTRAL SEMICONDUCTOR CMR2S-02, CMR2S-04, and CMR2S-06 are 2.0 Amp surface mount, super fast recovery silicon rectifiers designed for use in all types of commercial, industrial, entertainment, computer, and automotive applications. To order devices on 12mm Tape and Reel (3000/13" Reel), add TR13 suffix to part number.

**MARKING CODES: CMR2S-02: CSF22
 CMR2S-04: CSF24
 CMR2S-06: CSF26**

FEATURES:

- Super fast switching speed (30ns MAX)
- High reverse voltage
- Glass passivated chip
- "C" bend construction provides strain relief when mounted on pc board

MAXIMUM RATINGS: ($T_A=25^\circ\text{C}$ unless otherwise noted)

	SYMBOL	CMR2S-02	CMR2S-04	CMR2S-06	UNITS
Peak Repetitive Reverse Voltage	V_{RRM}	200	400	600	V
DC Blocking Voltage	V_R	200	400	600	V
RMS Reverse Voltage	$V_{R(RMS)}$	140	280	420	V
Average Forward Current ($T_L=110^\circ\text{C}$)	I_O		2.0		A
Peak Forward Surge Current, $t_p=8.3\text{ms}$	I_{FSM}		50		A
Operating and Storage Junction Temperature	T_J, T_{stg}		-65 to +150		$^\circ\text{C}$
Thermal Resistance	θ_{JL}		20		$^\circ\text{C/W}$

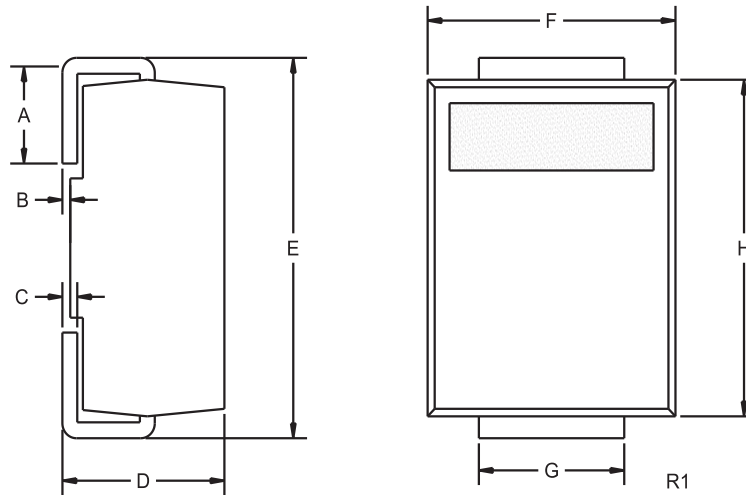
ELECTRICAL CHARACTERISTICS: ($T_A=25^\circ\text{C}$ unless otherwise noted)

SYMBOL	TEST CONDITIONS	TYP	MAX	UNITS
I_R	$V_R=\text{Rated } V_{RRM}$		1.0	μA
I_R	$V_R=\text{Rated } V_{RRM}, T_A=100^\circ\text{C}$		150	μA
V_F	$I_F=2.0\text{A (CMR2S-02)}$	0.88	0.95	V
V_F	$I_F=2.0\text{A (CMR2S-04)}$	1.10	1.25	V
V_F	$I_F=2.0\text{A (CMR2S-06)}$	1.50	1.70	V
t_{rr}	$I_F=0.5\text{A}, I_R=1.0\text{A}, I_{rr}=0.25\text{A}$	23	30	ns
C_J	$V_R=4.0\text{V}, f=1.0\text{MHz (CMR2S-02)}$	25		pF
C_J	$V_R=4.0\text{V}, f=1.0\text{MHz (CMR2S-04)}$	17		pF
C_J	$V_R=4.0\text{V}, f=1.0\text{MHz (CMR2S-06)}$	13		pF

CMR2S-02
CMR2S-04
CMR2S-06
SURFACE MOUNT SILICON
SUPER FAST
RECOVERY RECTIFIERS
2.0 AMP, 200 THRU 600 VOLT



SMB CASE - MECHANICAL OUTLINE



DEVICE	MARKING CODE
CMR2S-02	CSF22
CMR2S-04	CSF24
CMR2S-06	CSF26

SYMBOL	DIMENSIONS			
	INCHES		MILLIMETERS	
	MIN	MAX	MIN	MAX
A	0.030	0.060	0.76	1.52
B	0.004	0.008	0.10	0.20
C	0.006	0.012	0.15	0.30
D	0.086	0.096	2.18	2.44
E	0.200	0.220	5.08	5.59
F	0.130	0.150	3.30	3.81
G	0.077	0.083	1.96	2.11
H	0.160	0.180	4.06	4.57

SMB (REV: R1)

R3 (13-March 2013)