



FXL2SD106

Low Voltage Dual Supply 6-Bit SD Interface Voltage Translator with Configurable Voltage Supplies and Signal Levels, 3-State Outputs, and Auto Direction Sensing

Features

- Bi-directional interface between two levels from 1.1V to 3.6V
- Fully configurable: Inputs and outputs track V_{CC} level
- Non-preferential power-up; either VCC may be powered-up first
- Outputs remain in 3-state until active V_{CC} level is reached
- Outputs switch to 3-state if either V_{CC} is at GND.
- Power off protection
- Bushold on data inputs eliminates the need for SDIO pull-up resistors
- Control input (OE and CLK IN) are referenced to V_{CCA} voltage
- Packaged in 16-terminal DQFN (2.5mm x 3.5mm)
- Direction control not needed
- 80 Mbps throughput when translating between 1.8V and 2.5V
- ESD protection exceeds:
 - 12kV HBM (B port I/O to GND) (per JESD22-A114 & Mil Std 883e 3015.7)
 - 8kV HBM (A port I/O to GND) (per JESD22-A114 & Mil Std 883e 3015.7)
 - 1kV CDM (per ESD STM 5.3)

General Description

The FXL2SD106 is a configurable dual-voltage-supply translator designed for both uni-directional and bi-directional voltage translation between two logic levels. The device allows translation between voltages as high as 3.6V to as low as 1.1V. The A port tracks the V_{CCA} level, and the B port tracks the V_{CCB} level. This allows for bi-directional voltage translation over a variety of voltage levels: 1.2V, 1.5V, 1.8V, 2.5V and 3.3V.

The FXL2SD106 is specifically designed as a translator to interface with the SDIO standard. I/O capacitance is managed to meet the SD maximum capacitance specification. The B side ESD performance allows interface as an external card and the part can handle 80 Mbps throughput when translating between 1.8V and 2.5V.


The device remains in 3-state until both V_{CCS} reach active levels allowing either V_{CC} to be powered-up first. Internal power down control circuits place the device in 3-state if either VCC is removed.

The OE input, when low, disables both the A and B ports by placing them in a 3-state condition. The FXL2SD106 is designed so that both control pins (OE and CLK IN) are supplied by V_{CCA} .

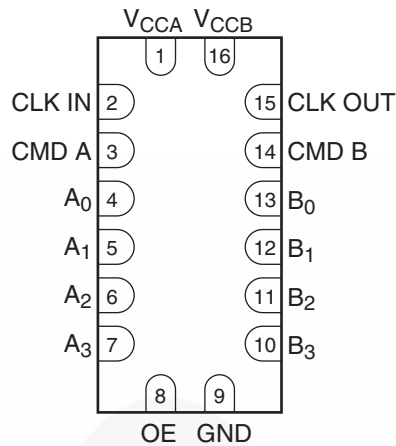
The device senses an input signal on A or B port automatically. The input signal is transferred to the other port.

Ordering Information

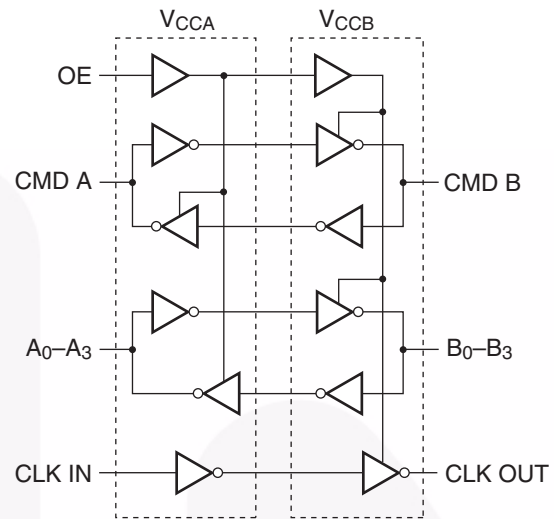
| Order Number | Package Number | Package Description |
|--------------|----------------|--|
| FXL2SD106BQX | MLP16E | 16-Terminal Depopulated Quad Very-Thin Flat Pack, No Leads (DQFN), JEDEC MO-241, 2.5mm x 3.5mm |

 All packages are lead free per JEDEC: J-STD-020B standard.

Connection Diagram



Functional Diagram



Pin Description

| Number | Name | Description | |
|--------|--------------------------------|----------------------------------|---------------------|
| 1 | V _{CCA} | A Side Power Supply | |
| 2 | CLK IN | A Side Input | |
| 3 | CMD A | A Side Inputs or 3-State Outputs | |
| 4–7 | A ₀ –A ₃ | | |
| 8 | OE | | Output Enable Input |
| 9 | GND | | |
| 10–13 | B ₃ –B ₀ | B Side Inputs or 3-State Outputs | |
| 14 | CMD B | | |
| 15 | CLK OUT | 3-State Output | |
| 16 | V _{CCB} | B Side Power Supply | |

Function Table

| Control | Outputs |
|---------|------------------|
| OE | |
| L | 3-State |
| H | Normal Operation |

H = HIGH Logic Level

L = LOW Logic Level

Power-Up/Power-Down Sequencing

FXL translators offer an advantage in that either V_{cc} may be powered up first. This benefit derives from the chip design. When either V_{CC} is at 0 volts, outputs are in a high-impedance state. The control input (OE) is designed to track the V_{ccA} supply. A pull-down resistor tying OE to GND should be used to ensure that bus contention, excessive currents, or oscillations do not occur during power-up/power-down. The size of the pull-down resistor is based upon the current-sinking capability of the device driving the OE pin.

The recommended power-up sequence is the following:

1. Apply power to the first V_{CC}.
2. Apply power to the second V_{CC}.
3. Drive the OE input high to enable the device.

The recommended power-down sequence is the following:

1. Drive OE input low to disable the device.
2. Remove power from either V_{CC}.
3. Remove power from other V_{CC}.

Absolute Maximum Ratings

Stresses exceeding the absolute maximum ratings may damage the device. The device may not function or be operable above the recommended operating conditions and stressing the parts to these levels is not recommended. In addition, extended exposure to stresses above the recommended operating conditions may affect device reliability. The absolute maximum ratings are stress ratings only.

| Symbol | Parameter | Rating |
|--------------------|---|--|
| V_{CCA}, V_{CCB} | Supply Voltage | -0.5V to +4.6V |
| V_I | DC Input Voltage I/O Port A I/O Port B Control Inputs (OE, CLK IN) | -0.5V to +4.6V -0.5V to +4.6V -0.5V to +4.6V |
| V_O | Output Voltage ⁽¹⁾ Outputs 3-STATE Outputs Active (A_n , CMD A) Outputs Active (B_n , CMD B, CLK OUT) | -0.5V to +4.6V -0.5V to $V_{CCA} + 0.5V$ -0.5V to $V_{CCB} + 0.5V$ |
| I_{IK} | DC Input Diode Current @ $V_I < 0V$ | -50mA |
| I_{OK} | DC Output Diode Current @ $V_O < 0V$ $V_O > V_{CC}$ | -50mA +50mA |
| I_{OH}/I_{OL} | DC Output Source/Sink Current | -50mA / +50mA |
| I_{CC} | DC V_{CC} or Ground Current per Supply Pin | ±100mA |
| T_{STG} | Storage Temperature Range | -65°C to +150°C |

Note:

1. I_O Absolute Maximum Rating must be observed.

Recommended Operating Conditions⁽²⁾

The Recommended Operating Conditions table defines the conditions for actual device operation. Recommended operating conditions are specified to ensure optimal performance to the datasheet specifications. Fairchild does not recommend exceeding them or designing to absolute maximum ratings.

| Symbol | Parameter | Rating |
|------------------------|--|---|
| V_{CCA} or V_{CCB} | Power Supply Operating | 1.1V to 3.6V |
| | Input Voltage Port A Port B Control Inputs (OE, CLK IN) | 0.0V to 3.6V 0.0V to 3.6V 0.0V to V_{CCA} |
| | Dynamic Output Current in I_{OH}/I_{OL} with V_{CC} @ 3.0V to 3.6V 2.3V to 2.7V 1.65V to 1.95V 1.4V to 1.65V 1.1V to 1.4V | ±18.0mA ±11.8mA ±7.4mA ±5.0mA ±2.6mA |
| | Static Output Current I_{OH}/I_{OL} with V_{CC} @ 1.1V to 3.6V | ±20.0µA |
| T_A | Free Air Operating Temperature | -40°C to +85°C |
| $\Delta t/\Delta V$ | Maximum Input Edge Rate $V_{CCA/B} = 1.1V$ to 3.6V | 10ns/V |

Note:

2. All unused inputs and I/O pins must be held at V_{CCI} or GND.

DC Electrical Characteristics ($T_A = -40^{\circ}\text{C}$ to $+85^{\circ}\text{C}$)

| Symbol | Parameter | V _{CCA} (V) | V _{CCB} (V) | Conditions | Min. | Typ. | Max. | Units |
|--------------------------------------|--------------------------------------|----------------------|----------------------|--|-------------------------|------|-------------------------|-------|
| V _{IH} | High Level Input Voltage | 1.4–3.6 | 1.1–3.6 | Data inputs An, CMD A, | 0.6 x V _{CCA} | | | V |
| | | 1.1–1.4 | 1.1–3.6 | Control inputs CLK IN, OE | 0.9 x V _{CCA} | | | |
| | | 1.1–3.6 | 1.4–3.6 | Data inputs Bn, CMD B | 0.6 x V _{CCB} | | | |
| | | 1.1–3.6 | 1.1–1.4 | | 0.9 x V _{CCB} | | | |
| V _{IL} | Low Level Input Voltage | 1.4–3.6 | 1.1–3.6 | Data inputs An, CMD A, | | | 0.35 x V _{CCA} | V |
| | | 1.1–1.4 | 1.1–3.6 | Control inputs CLK IN, OE | | | 0.1 x V _{CCA} | |
| | | 1.1–3.6 | 1.4–3.6 | Data inputs Bn, CMD B | | | 0.35 x V _{CCB} | |
| | | 1.1–3.6 | 1.1–1.4 | | | | 0.1 x V _{CCB} | |
| V _{OH} ⁽³⁾ | High Level Output Voltage | 1.65–3.6 | 1.1–3.6 | Data outputs An, CMD A, | 0.75 x V _{CCA} | | | V |
| | | 1.1–1.4 | 1.1–3.6 | I _{HOLD} = -20μA | | 0.8 | | |
| | | 1.1–3.6 | 1.65–3.6 | Data outputs Bn, CMD B, | 0.75 x V _{CCB} | | | |
| | | 1.1–3.6 | 1.1–1.4 | I _{HOLD} = -20μA | | 0.8 | | |
| V _{OL} ⁽³⁾ | Low Level Output Voltage | 1.65–3.6 | 1.1–3.6 | Data outputs An, CMD A, | | | 0.2 x V _{CCA} | V |
| | | 1.1–1.4 | 1.1–3.6 | I _{HOLD} = 20μA | | 0.3 | | |
| | | 1.1–3.6 | 1.65–3.6 | Data outputs Bn, CMD B, | | | 0.2 x V _{CCB} | |
| | | 1.1–3.6 | 1.1–1.4 | I _{HOLD} = 20μA | | 0.3 | | |
| I _{I(ODH)} ⁽⁴⁾ | Bushold Input Overdrive High Current | 3.6 | 3.6 | Data inputs An, CMD A, | 450 | | | μA |
| | | 2.7 | 2.7 | Bn, CMD B | 300 | | | |
| | | 1.95 | 1.95 | | 200 | | | |
| | | 1.6 | 1.6 | | 120 | | | |
| | | 1.4 | 1.4 | | 80 | | | |
| I _{I(ODL)} ⁽⁵⁾ | Bushold Input Overdrive Low Current | 3.6 | 3.6 | Data inputs An, CMD A, | -450 | | | μA |
| | | 2.7 | 2.7 | Bn, CMD B | -300 | | | |
| | | 1.95 | 1.95 | | -200 | | | |
| | | 1.6 | 1.6 | | -120 | | | |
| | | 1.4 | 1.4 | | -80 | | | |
| I _I | Input Leakage Current | 1.1–3.6 | 3.6 | Control inputs OE, CLK IN, V _I = V _{CCA} or GND | | | ±1.0 | μA |
| I _{OFF} | Power Off Leakage Current | 0 | 3.6 | An, CMD A, V _O = 0V to 3.6V | | | ±2.0 | μA |
| | | 3.6 | 0 | Bn, CMD B, CLK OUT, V _O = 0V to 3.6V | | | ±2.0 | |
| I _{OZ} ⁽⁶⁾ | 3-State Output Leakage | 3.6 | 3.6 | An, CMD A, Bn, CMD B, CLK OUT, V _O = 0V or 3.6V, OE = V _{IL} | | | ±2.0 | μA |
| | | 3.6 | 0 | An, CMD A, V _O = 0V or 3.6V, OE = Don't Care | | | ±2.0 | |
| | | 0 | 3.6 | Bn, CMD B, CLK OUT, V _O = 0V or 3.6V, OE = Don't Care | | | ±2.0 | |
| I _{CCA/B} ⁽⁷⁾⁽⁸⁾ | Quiescent Supply Current | 1.1–3.6 | 1.1–3.6 | V _I = V _{CCI} or GND, I _O = 0 | | | 5.0 | μA |
| I _{CCZ} ⁽⁷⁾ | Quiescent Supply Current | 1.1–3.6 | 1.1–3.6 | V _I = V _{CCI} or GND, I _O = 0, OE = V _{IL} | | | 5.0 | μA |

DC Electrical Characteristics ($T_A = -40^{\circ}\text{C}$ to $+85^{\circ}\text{C}$) (Continued)

| Symbol | Parameter | V_{CCA} (V) | V_{CCB} (V) | Conditions | Min. | Typ. | Max. | Units |
|-----------------|--------------------------|---------------|---------------|-----------------------------------|------|------|------|---------------|
| $I_{CCA}^{(7)}$ | Quiescent Supply Current | 0 | 1.1–3.6 | $V_I = V_{CCB}$ or GND; $I_O = 0$ | | | -2.0 | μA |
| | | 1.1–3.6 | 0 | $V_I = V_{CCA}$ or GND; $I_O = 0$ | | | 2.0 | |
| $I_{CCB}^{(7)}$ | Quiescent Supply Current | 1.1–3.6 | 0 | $V_I = V_{CCB}$ or GND; $I_O = 0$ | | | -2.0 | μA |
| | | 0 | 1.1–3.6 | $V_I = V_{CCA}$ or GND; $I_O = 0$ | | | 2.0 | |

Notes:

- This is the output voltage for static conditions. Dynamic drive specifications are given in “Dynamic Output Electrical Characteristics.”
- An external driver must source at least the specified current to switch LOW-to-HIGH.
- An external driver must source at least the specified current to switch HIGH-to-LOW.
- “Don’t Care” indicates any valid logic level.
- V_{CCI} is the V_{CC} associated with the input side.
- Reflects current per supply, V_{CCA} or V_{CCB} .

Dynamic Output Electrical Characteristics⁽⁹⁾

A Port (An, CMD A)

Output Load: $C_L = 15\text{pF}$, $R_L \geq 1\text{M}\Omega$ ($C_{I/O} = 5\text{pF}$)

| Symbol | Parameter | $T_A = -40^{\circ}\text{C}$ to $+85^{\circ}\text{C}$, $V_{CCA} =$ | | | | | | | | | Units |
|--------------------------|-----------------------------|--|------|--------------|------|----------------|------|--------------|------|--------------|-------|
| | | 3.0V to 3.6V | | 2.3V to 2.7V | | 1.65V to 1.95V | | 1.4V to 1.6V | | 1.1V to 1.3V | |
| | | Typ. | Max. | Typ. | Max. | Typ. | Max. | Typ. | Max. | Typ. | |
| $t_{\text{rise}}^{(10)}$ | Output Rise Time A port | | 3.0 | | 3.5 | | 4.0 | | 5.0 | 7.5 | ns |
| $t_{\text{fall}}^{(11)}$ | Output Fall Time A port | | 3.0 | | 3.5 | | 4.0 | | 5.0 | 7.5 | ns |
| $I_{\text{OHD}}^{(10)}$ | Dynamic Output Current High | -18.0 | | -11.8 | | -7.4 | | -5.0 | | -2.6 | mA |
| $I_{\text{OLD}}^{(11)}$ | Dynamic Output Current Low | +18.0 | | +11.8 | | +7.4 | | +5.0 | | +2.6 | mA |

B Port (Bn, CMD B, CLK OUT)

Output Load: $C_L = 15\text{pF}$, $R_L \geq 1\text{M}\Omega$ ($C_{I/O} = 15\text{pF}$)

| Symbol | Parameter | $T_A = -40^{\circ}\text{C}$ to $+85^{\circ}\text{C}$, $V_{CCB} =$ | | | | | | | | | Units |
|--------------------------|-----------------------------|--|------|--------------|------|----------------|------|--------------|------|--------------|-------|
| | | 3.0V to 3.6V | | 2.3V to 2.7V | | 1.65V to 1.95V | | 1.4V to 1.6V | | 1.1V to 1.3V | |
| | | Typ. | Max. | Typ. | Max. | Typ. | Max. | Typ. | Max. | Typ. | |
| $t_{\text{rise}}^{(10)}$ | Output Rise Time A port | | 3.0 | | 3.5 | | 4.0 | | 5.0 | 7.5 | ns |
| $t_{\text{fall}}^{(11)}$ | Output Fall Time A port | | 3.0 | | 3.5 | | 4.0 | | 5.0 | 7.5 | ns |
| $I_{\text{OHD}}^{(10)}$ | Dynamic Output Current High | -18.0 | | -11.8 | | -7.4 | | -5.0 | | -2.6 | mA |
| $I_{\text{OLD}}^{(11)}$ | Dynamic Output Current Low | +18.0 | | +11.8 | | +7.4 | | +5.0 | | +2.6 | mA |

Notes:

- Dynamic Output Characteristics are guaranteed but not tested.
- See Figure 5.
- See Figure 6.

AC Characteristics

$V_{CCA} = 3.0V$ to $3.6V$

| Symbol | Parameter | $T_A = -40^{\circ}C$ to $+85^{\circ}C$, $V_{CCB} =$ | | | | | | | | | Units |
|-----------------------|-------------------|--|------|-----------|------|-------------|------|-----------|------|-----------|---------|
| | | 3.0V–3.6V | | 2.3V–2.7V | | 1.65V–1.95V | | 1.4V–1.6V | | 1.1V–1.3V | |
| | | Min. | Max. | Min. | Max. | Min. | Max. | Min. | Max. | Typ. | |
| t_{PLH} , t_{PHL} | A to B | 0.2 | 3.5 | 0.3 | 3.9 | 0.5 | 5.4 | 0.6 | 6.8 | 22.0 | ns |
| | B to A | 0.2 | 3.5 | 0.2 | 3.8 | 0.3 | 5.0 | 0.5 | 6.0 | 15.0 | ns |
| t_{PLH} , t_{PHL} | CLK IN to CLK OUT | | 3.0 | | 3.5 | | 4.5 | | 6.0 | 15.0 | ns |
| t_{PZL} , t_{PZH} | OE to A, OE to B | | 1.7 | | 1.7 | | 1.7 | | 1.7 | 1.7 | μs |
| $t_{skew}^{(12)}$ | A Port, B Port | | 0.5 | | 0.5 | | 0.5 | | 1.0 | 1.0 | ns |

$V_{CCA} = 2.3V$ to $2.7V$

| Symbol | Parameter | $T_A = -40^{\circ}C$ to $+85^{\circ}C$, $V_{CCB} =$ | | | | | | | | | Units |
|-----------------------|-------------------|--|------|-----------|------|-------------|------|-----------|------|-----------|---------|
| | | 3.0V–3.6V | | 2.3V–2.7V | | 1.65V–1.95V | | 1.4V–1.6V | | 1.1V–1.3V | |
| | | Min. | Max. | Min. | Max. | Min. | Max. | Min. | Max. | Typ. | |
| t_{PLH} , t_{PHL} | A to B | 0.2 | 3.8 | 0.4 | 4.2 | 0.5 | 5.6 | 0.8 | 6.9 | 22.0 | ns |
| | B to A | 0.3 | 3.9 | 0.4 | 4.2 | 0.5 | 5.5 | 0.5 | 6.5 | 15.0 | ns |
| t_{PLH} , t_{PHL} | CLK IN to CLK OUT | | 3.5 | | 4.0 | | 4.5 | | 6.5 | 15.0 | ns |
| t_{PZL} , t_{PZH} | OE to A, OE to B | | 1.7 | | 1.7 | | 1.7 | | 1.7 | 1.7 | μs |
| $t_{skew}^{(12)}$ | A Port, B Port | | 0.5 | | 0.5 | | 0.5 | | 1.0 | 1.0 | ns |

$V_{CCA} = 1.65V$ to $1.95V$

| Symbol | Parameter | $T_A = -40^{\circ}C$ to $+85^{\circ}C$, $V_{CCB} =$ | | | | | | | | | Units |
|-----------------------|-------------------|--|------|-----------|------|-------------|------|-----------|------|-----------|---------|
| | | 3.0V–3.6V | | 2.3V–2.7V | | 1.65V–1.95V | | 1.4V–1.6V | | 1.1V–1.3V | |
| | | Min. | Max. | Min. | Max. | Min. | Max. | Min. | Max. | Typ. | |
| t_{PLH} , t_{PHL} | A to B | 0.3 | 5.0 | 0.5 | 5.5 | 0.8 | 6.7 | 0.9 | 7.5 | 22.0 | ns |
| | B to A | 0.5 | 5.4 | 0.5 | 5.6 | 0.8 | 6.7 | 1.0 | 7.0 | 15.0 | ns |
| t_{PLH} , t_{PHL} | CLK IN to CLK OUT | | 4.5 | | 4.5 | | 6.3 | | 6.7 | 15.0 | ns |
| t_{PZL} , t_{PZH} | OE to A, OE to B | | 1.7 | | 1.7 | | 1.7 | | 1.7 | 1.7 | μs |
| $t_{skew}^{(12)}$ | A Port, B Port | | 0.5 | | 0.5 | | 0.5 | | 1.0 | 1.0 | ns |

$V_{CCA} = 1.4V$ to $1.6V$

| Symbol | Parameter | $T_A = -40^{\circ}C$ to $+85^{\circ}C$, $V_{CCB} =$ | | | | | | | | | Units |
|-----------------------|-------------------|--|------|-----------|------|-------------|------|-----------|------|-----------|---------|
| | | 3.0V–3.6V | | 2.3V–2.7V | | 1.65V–1.95V | | 1.4V–1.6V | | 1.1V–1.3V | |
| | | Min. | Max. | Min. | Max. | Min. | Max. | Min. | Max. | Typ. | |
| t_{PLH} , t_{PHL} | A to B | 0.5 | 6.0 | 0.5 | 6.5 | 1.0 | 7.0 | 1.0 | 8.5 | 22.0 | ns |
| | B to A | 0.6 | 6.8 | 0.8 | 6.9 | 0.9 | 7.5 | 1.0 | 8.5 | 15.0 | ns |
| t_{PLH} , t_{PHL} | CLK IN to CLK OUT | | 6.0 | | 6.5 | | 6.7 | | 8.5 | 15.0 | ns |
| t_{PZL} , t_{PZH} | OE to A, OE to B | | 1.7 | | 1.7 | | 1.7 | | 1.7 | 1.7 | μs |
| $t_{skew}^{(12)}$ | A Port, B Port | | 1.0 | | 1.0 | | 1.0 | | 1.0 | 1.0 | ns |

Note:

12. Skew is the variation of propagation delay between output signals and applies only to output signals on the same port (An, CMD A or Bn, CMD B) and switching with the same polarity (Low-to-High or High-to-Low). See Figure 8.

Max Data Rate⁽¹³⁾⁽¹⁴⁾

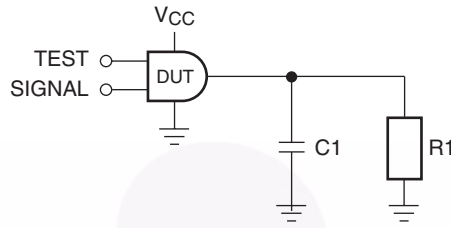
| V _{CCA} | T _A = -40°C to +85°C, V _{CCB} = | | | | | Units |
|-----------------------------------|---|--------------|----------------|--------------|--------------|-------|
| | 3.0V to 3.6V | 2.3V to 2.7V | 1.65V to 1.95V | 1.4V to 1.6V | 1.1V to 1.3V | |
| | Min. | Min. | Min. | Min. | Typ. | |
| V _{CCA} = 3.0V to 3.6V | 100 | 100 | 80 | 60 | 20 | Mbps |
| V _{CCA} = 2.3V to 2.7V | 100 | 100 | 80 | 60 | 20 | Mbps |
| V _{CCA} = 1.65V to 1.95V | 80 | 80 | 60 | 40 | 20 | Mbps |
| V _{CCA} = 1.4V to 1.6V | 60 | 60 | 40 | 40 | 20 | Mbps |
| | Typ. | Typ. | Typ. | Typ. | Typ. | |
| V _{CCA} = 1.1V to 1.3V | 20 | 20 | 20 | 20 | 20 | Mbps |

Note:

- 13. Max Data Rate is guaranteed but not tested.
- 14. Max Data Rate is specified in megabits per second. See Figure 7. It is equivalent to two times the F-toggle frequency, specified in megahertz. For example, 100 Mbps is equivalent to 50 MHz.

Capacitance

| Symbol | Parameter | Conditions | T _A = +25°C | Units |
|------------------|---|--|---|-------|
| | | | Typical | |
| C _{in} | Input Capacitance, Control pin (OE, CLK IN) | V _{CCA} = V _{CCB} = GND | 4 | pF |
| C _{i/o} | Input/Output Capacitance | An, CMD A | V _{CCA} = V _{CCB} = 3.3V, OE = V _{CCA} | 5 |
| | | Bn, CMD B, CLK OUT | | 6 |
| C _{pd} | Power Dissipation Capacitance | V _{CCA} = V _{CCB} = 3.3V, V _i = 0V or V _{CC} , f = 10MHz | 25 | pF |

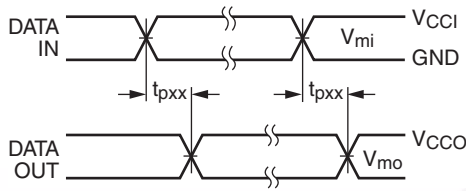


| Test | Input Signal | Output Enable Control |
|-----------------------|--------------|-----------------------|
| t_{PLH} , t_{PHL} | Data Pulses | V_{CCA} |
| t_{PZL} | 0V | Low to High Switch |
| t_{PZH} | V_{CCI} | Low to High Switch |

Figure 1. AC Test Circuit

AC Load Table

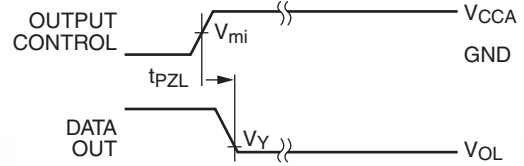
| V_{CCO} | CI | RI |
|------------------|------|-------------|
| $1.2V \pm 0.1V$ | 15pF | 1M Ω |
| $1.5V \pm 0.1V$ | 15pF | 1M Ω |
| $1.8V \pm 0.15V$ | 15pF | 1M Ω |
| $2.5V \pm 0.2V$ | 15pF | 1M Ω |
| $3.3 \pm 0.3V$ | 15pF | 1M Ω |



Input $t_R = t_F = 2.0\text{ns}$, 10% to 90%

Input $t_R = t_F = 2.5\text{ns}$, 10% to 90%, @ $V_i = 3.0\text{V}$ to 3.6V only

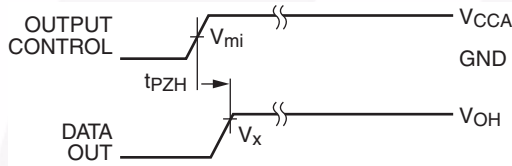
Figure 2. Waveform for Inverting and Non-inverting Functions



Input $t_R = t_F = 2.0\text{ns}$, 10% to 90%

Input $t_R = t_F = 2.5\text{ns}$, 10% to 90%, @ $V_i = 3.0\text{V}$ to 3.6V only

Figure 3. 3-STATE Output Low Enable Time for Low Voltage Logic



Input $t_R = t_F = 2.0\text{ns}$, 10% to 90%

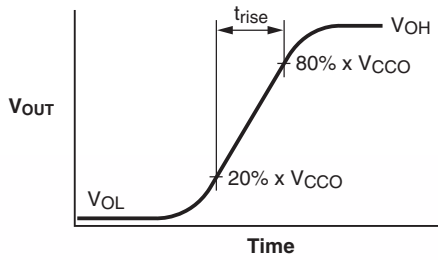
Input $t_R = t_F = 2.5\text{ns}$, 10% to 90%, @ $V_i = 3.0\text{V}$ to 3.6V only

Figure 4. 3-STATE Output High Enable Time for Low Voltage Logic

| Symbol | Vcc |
|-----------------|----------------------|
| $V_{mi}^{(15)}$ | $V_{CCI} / 2$ |
| V_{mo} | $V_{CCO} / 2$ |
| V_X | $0.9 \times V_{CCO}$ |
| V_Y | $0.1 \times V_{CCO}$ |

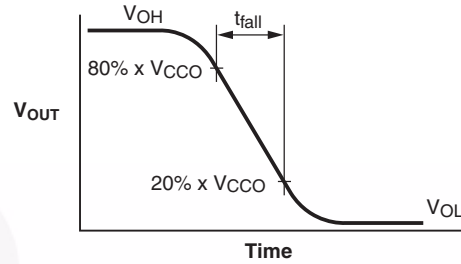
Note:

15. $V_{CCI} = V_{CCA}$ for control pin OE or $V_{mi} = (V_{CCA} / 2)$.



$$I_{OHD} \approx (C_L + C_{I/O}) \times \frac{\Delta V_{OUT}}{\Delta t} = (C_L + C_{I/O}) \times \frac{(20\% - 80\%) \times V_{CCO}}{t_{RISE}}$$

Figure 5. Active Output Rise Time and Dynamic Output Current High



$$I_{OLD} \approx (C_L + C_{I/O}) \times \frac{\Delta V_{OUT}}{\Delta t} = (C_L + C_{I/O}) \times \frac{(80\% - 20\%) \times V_{CCO}}{t_{FALL}}$$

Figure 6. Active Output Fall Time and Dynamic Output Current Low

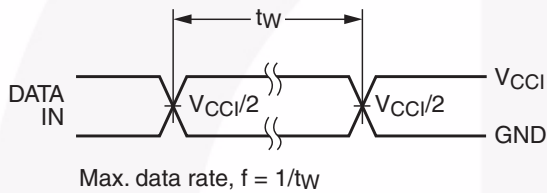
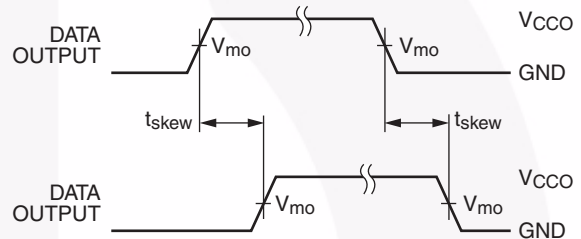


Figure 7. Maximum Data Rate



$$t_{skew} = (t_{pHLmax} - t_{pHLmin}) \text{ or } (t_{pLHmax} - t_{pLHmin})$$

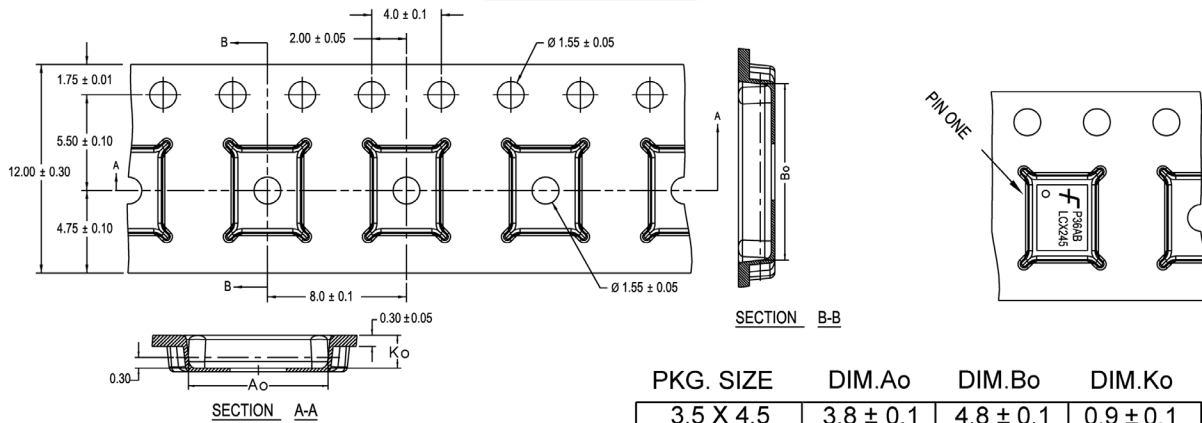
Figure 8. Output Skew Time

Tape and Reel Specification

Tape Format for DQFN 10

| Package Designator | Tape Section | Number Cavities | Cavity Status | Cover Tape Status |
|--------------------|--------------------|-----------------|---------------|-------------------|
| BQX | Leader (Start End) | 125 (typ) | Empty | Sealed |
| | Carrier | 2500/3000 | Filled | Sealed |
| | Trailer (Hub End) | 75 (typ) | Empty | Sealed |

Tape Dimensions millimeters



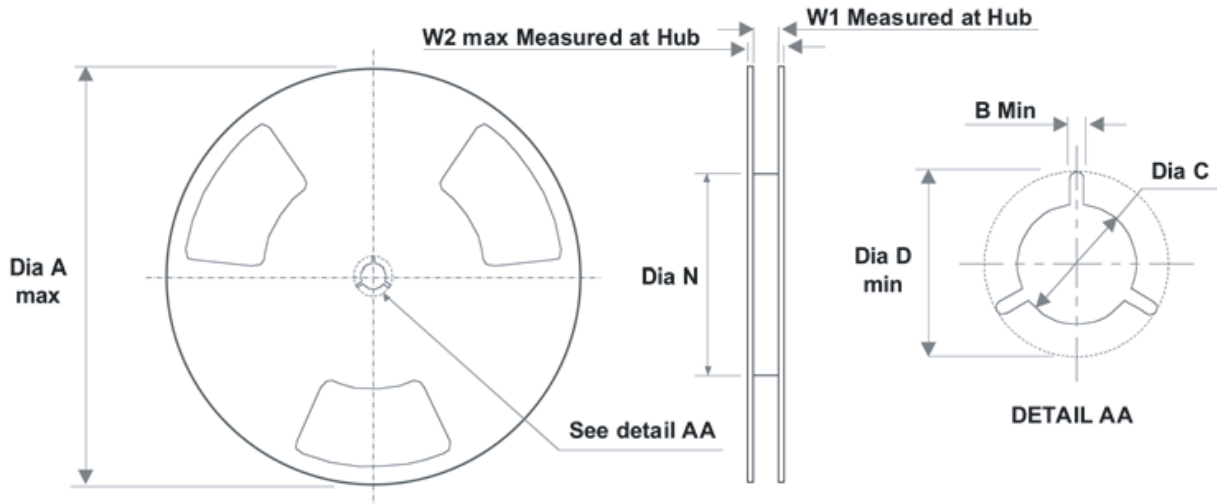
| PKG. SIZE | DIM.Ao | DIM.Bo | DIM.Ko |
|-----------|-----------|-----------|-----------|
| 3.5 X 4.5 | 3.8 ± 0.1 | 4.8 ± 0.1 | 0.9 ± 0.1 |
| 3.0 X 3.0 | 3.3 ± 0.1 | 3.3 ± 0.1 | 0.9 ± 0.1 |
| 2.5 X 4.5 | 2.8 ± 0.1 | 4.8 ± 0.1 | 0.9 ± 0.1 |
| 2.5 X 3.5 | 2.8 ± 0.1 | 3.8 ± 0.1 | 0.9 ± 0.1 |
| 2.5 X 3.0 | 2.8 ± 0.1 | 3.3 ± 0.1 | 0.9 ± 0.1 |
| 2.5 X 2.5 | 2.8 ± 0.1 | 2.8 ± 0.1 | 0.9 ± 0.1 |

DIMENSIONS ARE IN MILLIMETERS

NOTES: unless otherwise specified

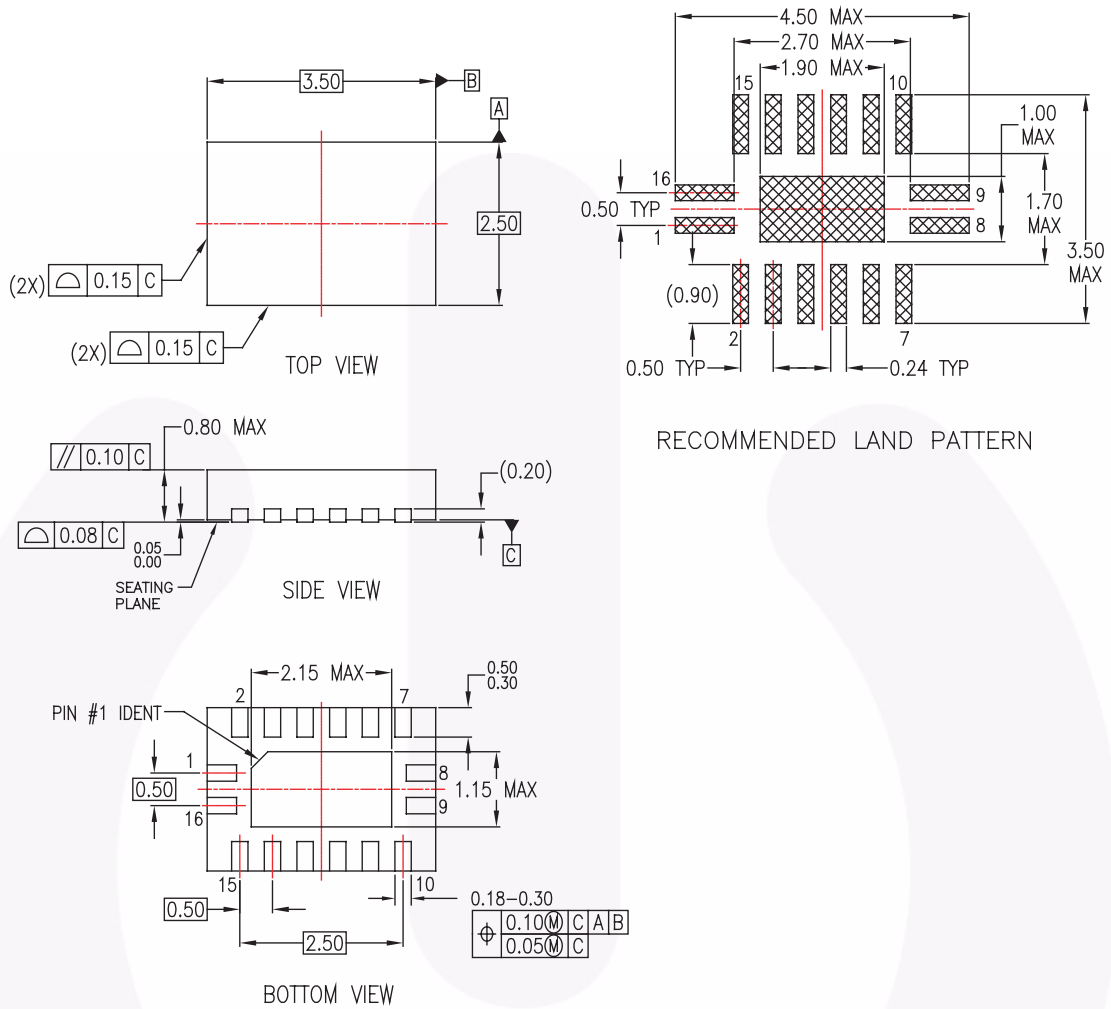
1. Cumulative pitch for feeding holes and cavities (chip pockets) not to exceed 0.008[0.20] over 10 pitch span.
2. Smallest allowable bending radius.
3. Thru hole inside cavity is centered within cavity.
4. Tolerance is $\pm 0.002[0.05]$ for these dimensions on all 12mm tapes.
5. Ao and Bo measured on a plane 0.120[0.30] above the bottom of the pocket.
6. Ko measured from a plane on the inside bottom of the pocket to the top surface of the carrier.
7. Pocket position relative to sprocket hole measured as true position of pocket. Not pocket hole.
8. Controlling dimension is millimeter. Dimension in inches rounded.

Reel Dimensions inches (millimeters)



| Tape Size | A | B | C | D | N | W1 | W2 |
|-----------|---------------|-----------------|------------------|------------------|----------------|-----------------|-----------------|
| 12mm | 13.0 (330) | 0.059 (1.50) | 0.512 (13.00) | 0.795 (20.20) | 7.008 (178) | 0.488 (12.4) | 0.724 (18.4) |

Physical Dimensions



NOTES:

- A. CONFORMS TO JEDEC REGISTRATION MO-241, VARIATION AB
- B. DIMENSIONS ARE IN MILLIMETERS.
- C. DIMENSIONS AND TOLERANCES PER ASME Y14.5M, 1994

MLP16ErevA

Figure 9. 6-Terminal Depopulated Quad Very-Thin Flat Pack No Leads (DQFN), JEDEC MO-241 2.5mm x 3.5mm

Package drawings are provided as a service to customers considering Fairchild components. Drawings may change in any manner without notice. Please note the revision and/or date on the drawing and contact a Fairchild Semiconductor representative to verify or obtain the most recent revision. Package specifications do not expand the terms of Fairchild's worldwide terms and conditions, specifically the warranty therein, which covers Fairchild products.





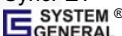
Always visit Fairchild Semiconductor's online packaging area for the most recent package drawings:

<http://www.fairchildsemi.com/packaging/>



TRADEMARKS

The following includes registered and unregistered trademarks and service marks, owned by Fairchild Semiconductor and/or its global subsidiaries, and is not intended to be an exhaustive list of all such trademarks.

- | | | | |
|---|---|---|---|
| ACEx [®] | FPS [™] | PDP SPM [™] | The Power Franchise [®] |
| Build it Now [™] | F-PFS [™] | Power-SPM [™] | the power franchise |
| CorePLUS [™] | FRFET [®] | PowerTrench [®] | TinyBoost [™] |
| CorePOWER [™] | Global Power Resource SM | Programmable Active Droop [™] | TinyBuck [™] |
| CROSSVOLT [™] | Green FPS [™] | QFET [®] | TinyLogic [®] |
| CTL [™] | Green FPS [™] e-Series [™] | QS [™] | TINYOPTO [™] |
| Current Transfer Logic [™] | GTO [™] | Quiet Series [™] | TinyPower [™] |
| EcoSPARK [®] | IntelliMAX [™] | RapidConfigure [™] | TinyPWM [™] |
| EfficientMax [™] | ISOPLANAR [™] | Saving our world, 1mW at a time [™] | TinyWire [™] |
| EZSWITCH [™] * | MegaBuck [™] | SmartMax [™] | μSerDes [™] |
|  ™ | MICROCOUPLER [™] | SMART START [™] |  |
|  ™ | MicroFET [™] | SPM [®] | UHC [®] |
| Fairchild [®] | MicroPak [™] | STEALTH [™] | Ultra FRFET [™] |
| Fairchild Semiconductor [®] | MillerDrive [™] | SuperFET [™] | UniFET [™] |
| FACT Quiet Series [™] | MotionMax [™] | SuperSOT [™] -3 | VCX [™] |
| FACT [®] | Motion-SPM [™] | SuperSOT [™] -6 | VisualMax [™] |
| FAST [®] | OPTOLOGIC [®] | SuperSOT [™] -8 | |
| FAST [®] | OPTOPLANAR [®] | SupreMOS [™] | |
| FastvCore [™] |  | SyncFET [™] | |
| FlashWriter [®] | |  | |

* EZSWITCH[™] and FlashWriter[®] are trademarks of System General Corporation, used under license by Fairchild Semiconductor.

DISCLAIMER

FAIRCHILD SEMICONDUCTOR RESERVES THE RIGHT TO MAKE CHANGES WITHOUT FURTHER NOTICE TO ANY PRODUCTS HEREIN TO IMPROVE RELIABILITY, FUNCTION, OR DESIGN. FAIRCHILD DOES NOT ASSUME ANY LIABILITY ARISING OUT OF THE APPLICATION OR USE OF ANY PRODUCT OR CIRCUIT DESCRIBED HEREIN; NEITHER DOES IT CONVEY ANY LICENSE UNDER ITS PATENT RIGHTS, NOR THE RIGHTS OF OTHERS. THESE SPECIFICATIONS DO NOT EXPAND THE TERMS OF FAIRCHILD'S WORLDWIDE TERMS AND CONDITIONS, SPECIFICALLY THE WARRANTY THEREIN, WHICH COVERS THESE PRODUCTS.

LIFE SUPPORT POLICY

FAIRCHILD'S PRODUCTS ARE NOT AUTHORIZED FOR USE AS CRITICAL COMPONENTS IN LIFE SUPPORT DEVICES OR SYSTEMS WITHOUT THE EXPRESS WRITTEN APPROVAL OF FAIRCHILD SEMICONDUCTOR CORPORATION.

As used herein:

1. Life support devices or systems are devices or systems which, (a) are intended for surgical implant into the body or (b) support or sustain life, and (c) whose failure to perform when properly used in accordance with instructions for use provided in the labeling, can be reasonably expected to result in a significant injury of the user.
2. A critical component in any component of a life support, device, or system whose failure to perform can be reasonably expected to cause the failure of the life support device or system, or to affect its safety or effectiveness.

PRODUCT STATUS DEFINITIONS

Definition of Terms

| Datasheet Identification | Product Status | Definition |
|--------------------------|-----------------------|--|
| Advance Information | Formative / In Design | This datasheet contains the design specifications for product development. Specifications may change in any manner without notice. |
| Preliminary | First Production | This datasheet contains preliminary data; supplementary data will be published at a later date. Fairchild Semiconductor reserves the right to make changes at any time without notice to improve design. |
| No Identification Needed | Full Production | This datasheet contains final specifications. Fairchild Semiconductor reserves the right to make changes at any time without notice to improve the design. |
| Obsolete | Not In Production | This datasheet contains specifications on a product that is discontinued by Fairchild Semiconductor. The datasheet is for reference information only. |

Rev. I34