

## High Voltage Ring Generator IC

### Features

- ▶ 220V maximum operating voltage
- ▶ Integrated high voltage transistors
- ▶ Up to 70 V<sub>RMS</sub> ring signal
- ▶ Adjustable AC and DC output voltage level
- ▶ Adjustable ring signal start phase angle
- ▶ Pulse by pulse output over current protection
- ▶ 5 REN output capability
- ▶ External MOSFETs enhance output rating to 20 REN

### Applications

- ▶ Stand alone high voltage ring generator
- ▶ Set-top/street box ring generator
- ▶ Pair gain ring generator
- ▶ Wireless local loops
- ▶ Fibre in the loop/to the curb
- ▶ Coax cable loop

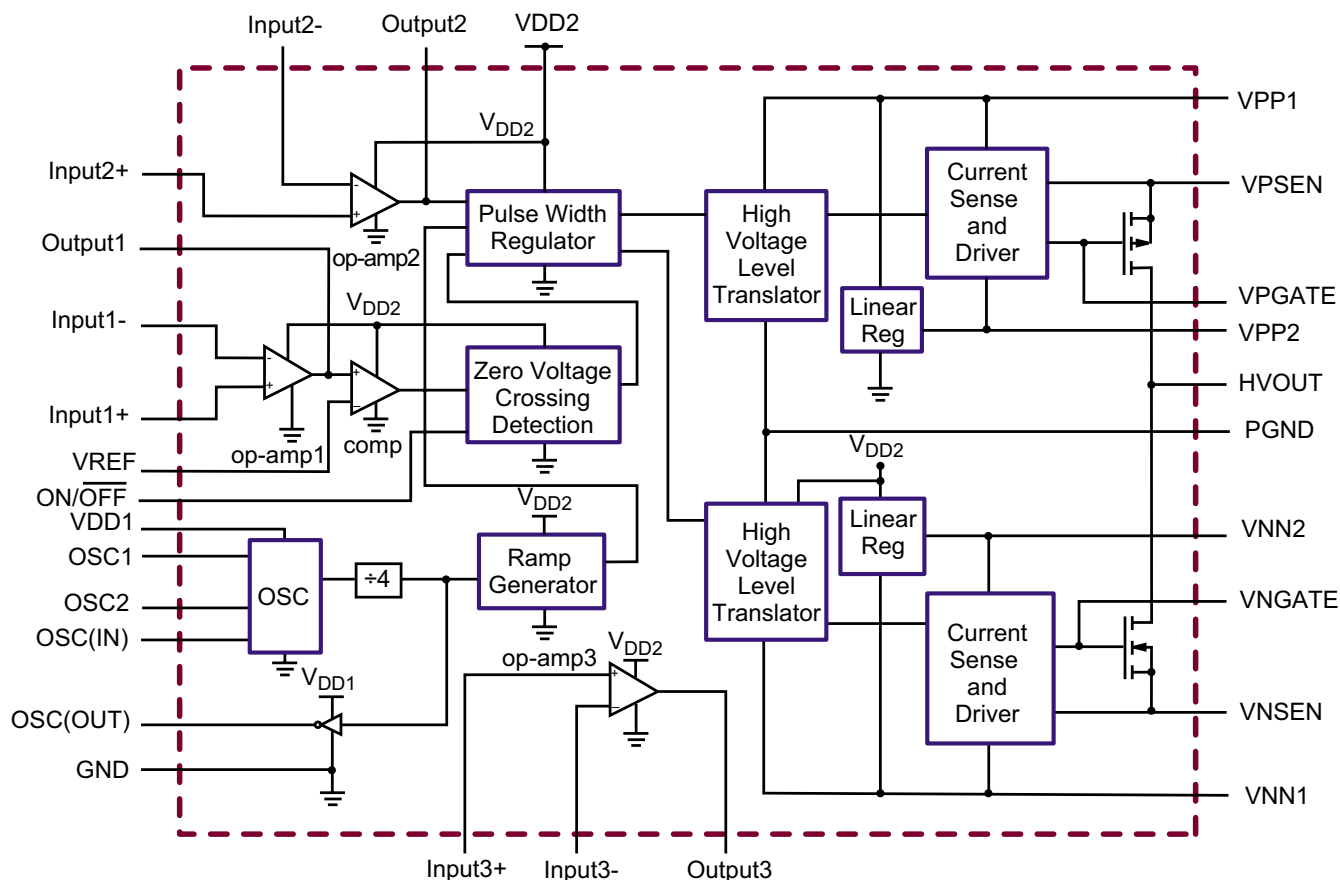
### General Description

The Supertex HV441 is a monolithic integrated circuit capable of generating up to a 70V<sub>RMS</sub> sine wave output at frequencies of 15 to 60Hz with a load of 5 North American RENs. Its output rating can be enhanced to 20 North American RENs with the addition of two Supertex MOSFETs: one N-Channel MOSFET, the TN2524N8, and one P-Channel MOSFET, the TP2522N8. The high voltage outputs have pulse by pulse over-current protection set by two external sense resistors.

The HV441 generates a low voltage reference sine wave by using external passive components. An external sine wave signal can be used if desired. The HV441 amplifies the reference sine wave signal by pulse width modulating the high voltage output at a nominal frequency of 100KHz. An error amplifier compares the output sine wave with the reference sine wave and adjusts the pulse width accordingly. Both the amplitude of the output sinewave and the DC offset voltage are adjustable.

**For detailed circuit and application information, please refer to application note AN-H35.**

### Functional Block Diagram



## Ordering Information

Device	<b>44-Lead PLCC</b> 10.30x7.50mm body 2.65mm height (max) 1.27mm pitch
HV441	HV441PJ-G

-G indicates package is RoHS compliant ('Green')

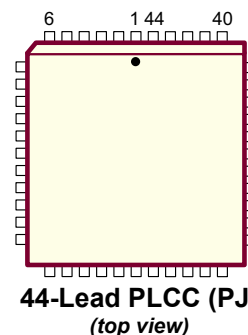


## Absolute Maximum Ratings

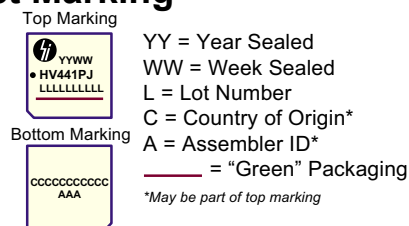
Parameter	Value
$V_{PP1} - V_{NN1}$ , power supply voltage	+240V
$V_{PP1}$ , positive high supply voltage	+120V
$V_{PP2}$ , positive gate supply voltage	+120V
$V_{NN1}$ , negative high voltage	-170V
$V_{NN2}$ , negative gate voltage	-170V
$V_{DD1}$ , low voltage logic supply	+7.5V
$V_{DD2}$ , low voltage analog/logic supply	+18V
Storage temperature	-65°C to +150°C
Power dissipation	1200mW

Absolute Maximum Ratings are those values beyond which damage to the device may occur. Functional operation under these conditions is not implied. Continuous operation of the device at the absolute rating level may affect device reliability. All voltages are referenced to device ground.

## Pin Configuration



## Product Marking



**44-Lead PLCC (PJ)**

## Electrical Characteristics (over operating supply voltage unless otherwise specified. $T_A = 25^\circ\text{C}$ )

Sym	Parameter	Min	Typ	Max	Units	Conditions
$V_{PP1}$	High voltage positive supply	15	-	110	V	$T_A = -40^\circ\text{C}$ to $+85^\circ\text{C}$
$V_{PP2}$	Positive charge pump output	$V_{PP1} - 8.0$	-	$V_{PP1} - 19$		
$V_{NN1}$	High voltage negative supply	$V_{PP1} - 220$	-	-110		
$V_{NN2}$	Negative charge pump output	$V_{PP1} + 5.2$	-	$V_{NN1} + 10.5$		
$V_{DD1}$	Low voltage supply	3.0	-	5.5		
$V_{DD2}$	Low voltage supply	10.8	-	13.5		
$I_{PP1Q}$	$V_{PP1}$ quiescent current	-	250	400	$\mu\text{A}$	$T_A = -40^\circ\text{C}$ to $+85^\circ\text{C}$
$I_{NN1Q}$	$V_{NN1}$ quiescent current	-	250	500		
$I_{PP1}$	$V_{PP1}$ operating current	-	-	0.8	mA	HV <sub>OUT</sub> switching at 100KHz, $V_{PP1} = +60\text{V}$ , $V_{NN1} = -160\text{V}$ , $T_A = -40^\circ\text{C}$ to $+85^\circ\text{C}$
$I_{NN1}$	$V_{NN1}$ operating current	-	-	1.0		
$I_{DD1Q}$	$V_{DD1}$ quiescent current	-	-	10	$\mu\text{A}$	---
$I_{DD2Q}$	$V_{DD2}$ quiescent current	-	-	4.0	mA	---

## High Voltage Output

$R_{SOURCE}$	$V_{OUT}$ P source resistance	-	55	-	$\Omega$	$I_{OUT} = 100\text{mA}$
$R_{SINK}$	$V_{OUT}$ P sink resistance	-	55	-	$\Omega$	$I_{OUT} = -100\text{mA}$

## Electrical Characteristics (cont.) (over operating supply voltage unless otherwise specified. $T_A = 25^\circ\text{C}$ )

Sym	Parameter	Min	Typ	Max	Units	Conditions
DC <sub>P</sub>	Max P-channel duty cycle	92	-	-	%	$V_{PP1} = +60\text{V}$ , $V_{NN1} = -160\text{V}$
DC <sub>N</sub>	Max N-channel duty cycle	94	-	-		
t <sub>D(ON)</sub>	HV <sub>OUT</sub> delay time	-	150	-	ns	---
t <sub>RISE</sub>	HV <sub>OUT</sub> rise time	-	-	50	ns	---
t <sub>D(OFF)</sub>	HV <sub>OUT</sub> delay time	-	200	-	ns	---
t <sub>FALL</sub>	HV <sub>OUT</sub> fall time	-	-	50	ns	---
V <sub>PSEN</sub>	HV <sub>OUT</sub> current source sense voltage	V <sub>PP1</sub> -0.75	V <sub>PP1</sub> -1.00	V <sub>PP1</sub> -1.25	V	---
		V <sub>PP1</sub> -0.67	-	V <sub>PP1</sub> -1.31		T <sub>A</sub> = -40°C to +85°C
V <sub>NSEN</sub>	HV <sub>OUT</sub> current sink sense voltage	V <sub>NN1</sub> +0.75	V <sub>NN1</sub> +1.00	V <sub>NN1</sub> +1.25	V	---
		V <sub>NN1</sub> +0.65	-	V <sub>NN1</sub> +1.33		T <sub>A</sub> = -40°C to +85°C
t <sub>SHORTP</sub>	HV <sub>OUT</sub> off time when current source sense is activated	-	-	100	ns	---
t <sub>SHORTN</sub>	HV <sub>OUT</sub> off time when current sink sense is activated	-	-	100	ns	---

### Operational Amplifier 1, 2, and 3

V <sub>OS</sub>	Input offset voltage	-	-	5.0	mV	---
I <sub>IN</sub>	Input bias current	-	-	500	nA	---
V <sub>IN</sub>	Input voltage range	1.0	-	V <sub>DD2</sub> -1	V	---
V <sub>OUT</sub>	Output voltage swing	0.5	-	V <sub>DD2</sub> -1	V	---
I <sub>SOURCE</sub>	Output source current	-	-	3.0	mA	---
I <sub>SINK</sub>	Output sink current	-	-	-2.75	mA	---
A <sub>O</sub>	DC open loop gain	70	85	-	dB	---
BW	Bandwidth	100	-	-	KHz	---
SR	Output slew rate	0.3	-	-	V/μs	---

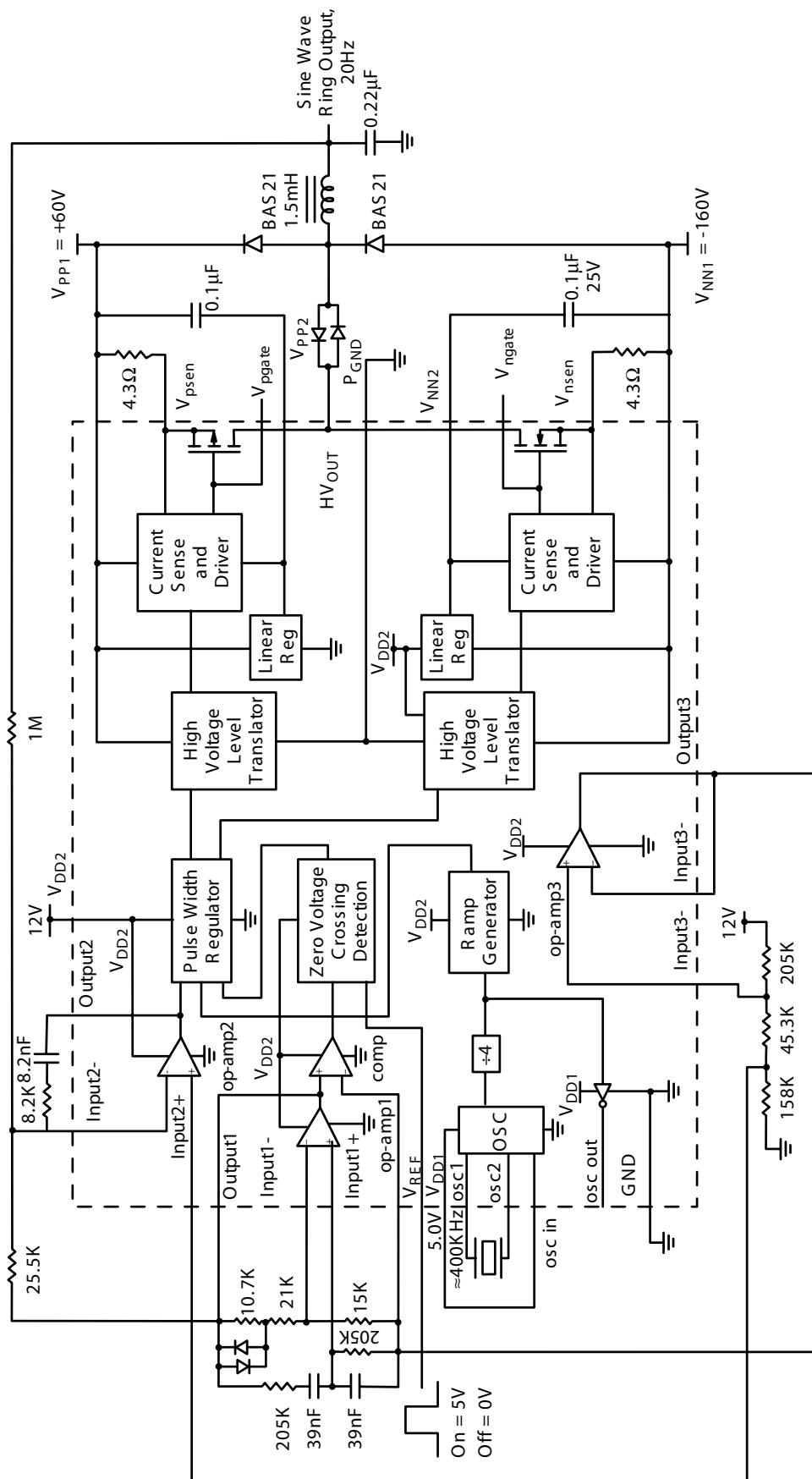
### Comparator

V <sub>OS</sub>	Input offset voltage	-	-	4.0	mV	---
I <sub>IN</sub>	Input bias current	-	-	500	nA	---
V <sub>IN</sub>	Input voltage range	-	-	V <sub>DD2</sub> -2.0	V	---
A <sub>V</sub>	Voltage gain	80	-	-	dB	---
t <sub>RES</sub>	Response time	-	80	-	ns	---

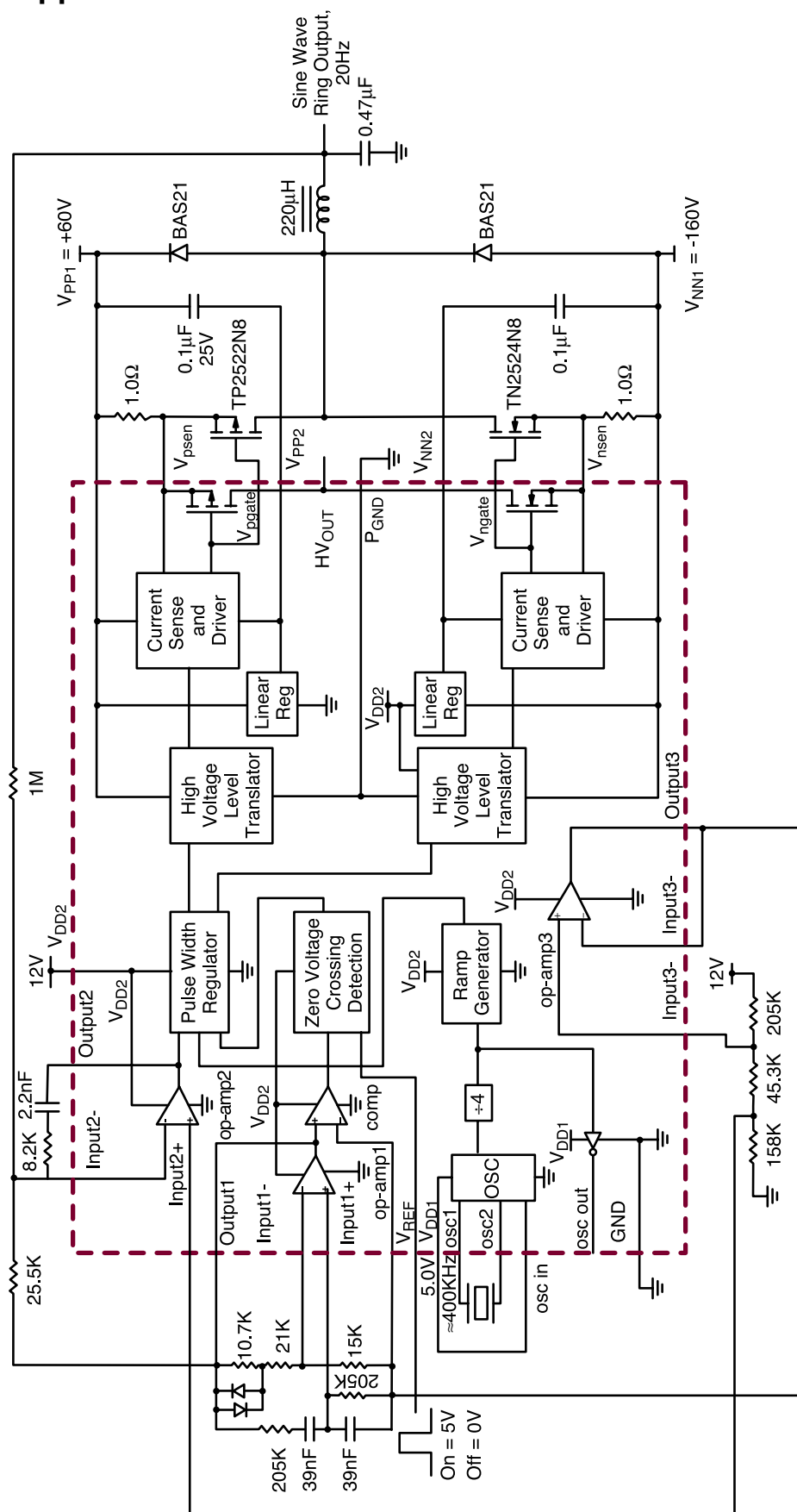
### Oscillator

V <sub>OSC1</sub>	Input voltage range for OSC1	0	-	V <sub>DD2</sub>	V	---
V <sub>OSC2</sub>	Input voltage range for OSC2	0	-	V <sub>DD2</sub>	V	---
V <sub>OSC(IN)</sub>	Input voltage range for OSC(IN)	0	-	V <sub>DD1</sub>	V	---
V <sub>OSC(OUT)</sub>	Input voltage range for OSC(OUT)	-	-	V <sub>DD1</sub>	V	---
f <sub>OSC(OUT)</sub>	Output frequency of OSC(OUT)	-	-	120	KHz	f <sub>OSC1</sub> = 480KHz

Typical 5 REN Application Circuit



Typical 20 REN Application Circuit



## Pin Description

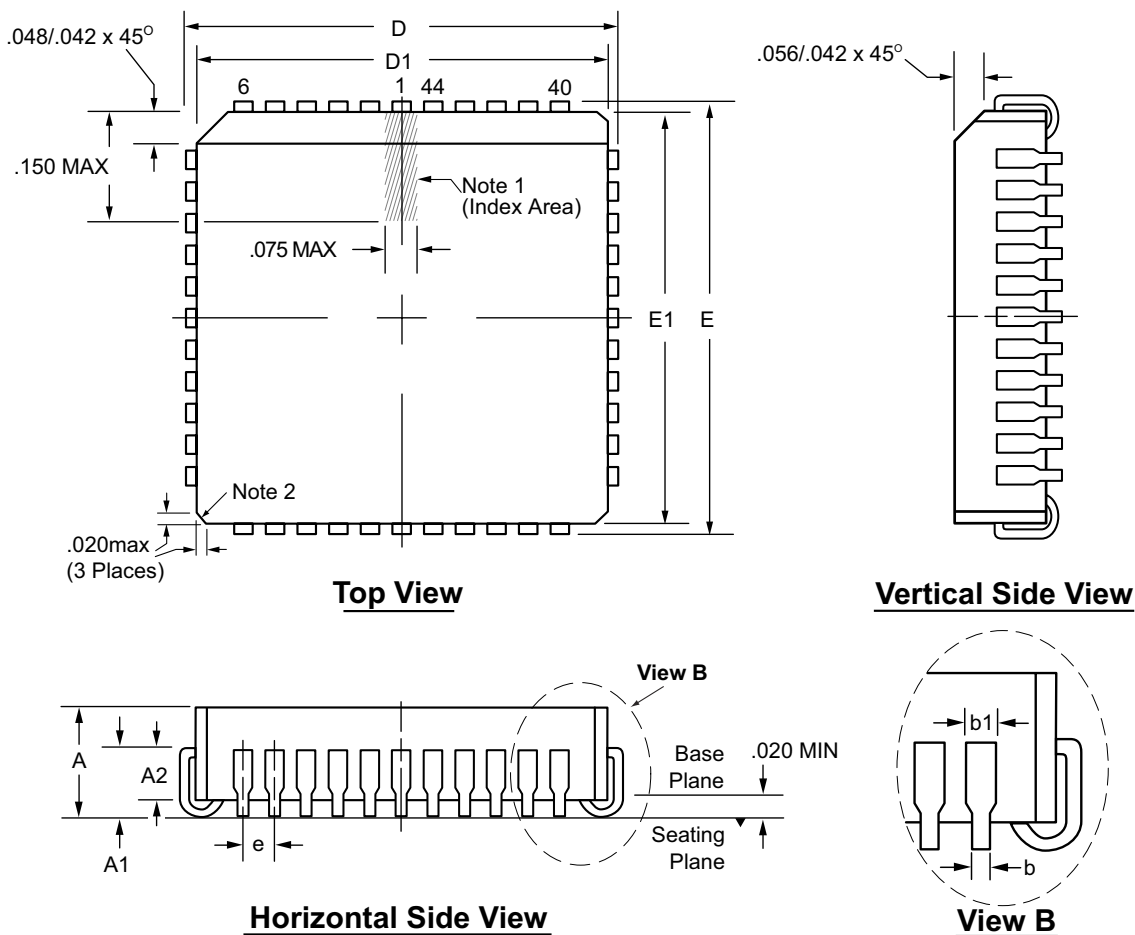
Pin	Name	Description
1	N/C	No connect.
2		
3		
4	VREF	External input reference voltage for zero crossing detection.
5	N/C	No connect.
6	VDD2	+12V supply for analog/logic circuit.
7	N/C	No connect.
8	VDD1	+3.3V to 5.0V supply for input and output logic.
9	OSC1	Input 1 for external resonator. Connect to GND when not in use.
10	OSC2	Input 2 for external resonator. Leave floating when not in use.
11	OSC(IN)	External oscillator input. Zero to VDD1 input signal. Connect to VDD1 when not in use.
12	OSC(OUT)	Oscillator output; 1/4 frequency of external resonator. 50% duty cycle.
13	ON/OFF	Enables/Disables HVOUT.
14	N/C	No connect.
15		
16		
17	VNN1	Negative high voltage supply.
18	N/C	No connect.
19	VNN2	Negative gate voltage supply. Generated by an internal linear regulator.
20	NGATE	Gate drive for external N-channel MOSFET.
21	VNSEN	Pulse by pulse over current sensing for internal N-Channel MOSFET.
22	N/C	No connect.
23	HVOUT	High voltage output. Voltage swings from VPP1 to VNN1.
24	N/C	No connect.
25	VPSEN	Pulse by pulse over current sensing for internal P-Channel MOSFET.
26	PGATE	Gate drive for external P-channel MOSFET.
27	VPP2	Positive gate voltage supply. Generated by an internal linear regulator.
28	N/C	No connect.
29	VPP1	Positive high voltage supply.
30	N/C	No connect.
31		
32		
33	PGND	High voltage power ground.
34	GND	Low voltage ground.
35	OUTPUT2	Output of op-amp 2.

**Pin Description** *(cont.)*

Pin	Name	Description
36	INPUT2-	Inverting input of op-amp 2.
37	INPUT2+	Noninverting input of op-amp 2.
38	OUTPUT1	Output of op-amp 1.
39	INPUT1-	Inverting input of op-amp 1.
40	INPUT1+	Noninverting input of op-amp 1.
41	OUTPUT3	Output of op-amp 3.
42	INPUT3-	Inverting input of op-amp 3.
43	INPUT3+	Noninverting input of op-amp 3.
44	N/C	No connect.

# 44-Lead PLCC Package Outline (PJ)

.653x.653in body, .180in height (max), .050in pitch



- Notes:**
1. A Pin 1 identifier must be located in the index area indicated. The Pin 1 identifier can be: a molded mark/identifier; an embedded metal marker; or a printed indicator.
  2. Actual shape of this feature may vary.

Symbol	A	A1	A2	b	b1	D	D1	E	E1	e	
Dimension (inches)	MIN	.165	.090	.062	.013	.026	.685	.650	.685	.650	.050 BSC
	NOM	.172	.105	-	-	-	.690	.653	.690	.653	
	MAX	.180	.120	.083	.021	.036 <sup>†</sup>	.695	.656	.695	.656	

JEDEC Registration MS-018, Variation AC, Issue A, June, 1993.

<sup>†</sup> This dimension is a non-JEDEC dimension.

**Drawings not to scale.**

**Supertex Doc. #: DSPD-44PLCCPJ, Version D092408.**

(The package drawing(s) in this data sheet may not reflect the most current specifications. For the latest package outline information go to <http://www.supertex.com/packaging.html>.)

Supertex inc. does not recommend the use of its products in life support applications, and will not knowingly sell them for use in such applications unless it receives an adequate "product liability indemnification insurance agreement." Supertex inc. does not assume responsibility for use of devices described, and limits its liability to the replacement of the devices determined defective due to workmanship. No responsibility is assumed for possible omissions and inaccuracies. Circuitry and specifications are subject to change without notice. For the latest product specifications refer to the Supertex inc. website: <http://www.supertex.com>.